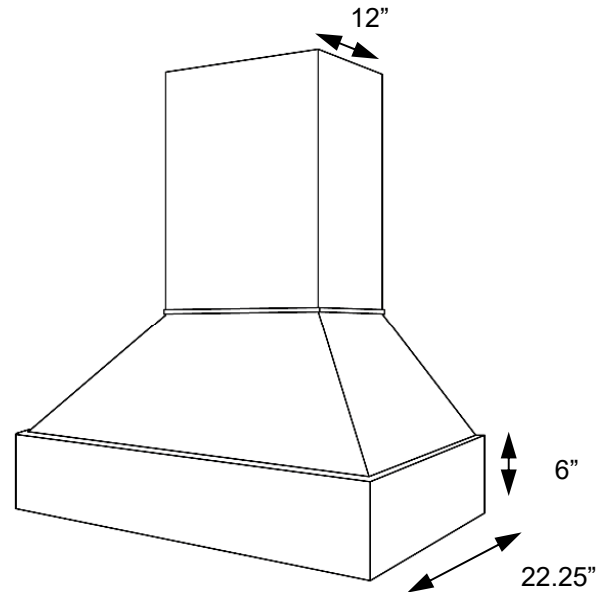




Standard Base Z300

The height of the hood will increase the height of the chimney. The height which is shown is 42"



Z300 Series	
Standard Widths	30, 36, 42, 48, 54 and 60 or custom
Standard Heights	Standard – 22"-42" Plus-over 42 -54"
Removable option	Not available
Standard Assumptions	Grain will be vertical unless specified otherwise If ordering a 1000 CFM, 1200 CFM or a remote vent – Must also order a offset transition piece item number (offset-10) 30" wide will NOT accommodate a value liner with 390 CFM blower
Base height	6"
Depth of hood	22.25"
Width of chimney	Hood width minus 20-1/2"
Distance moldings protrude past sides	SS or Hardwood - 0
Ventilator	Stanisci Stainless Mesh, Baffle or Value liner
Baffle liner Adjustment	Hardwood increase by 2-3/4,
Available Moldings	Does not apply
Available option	- Stainless Steel baffle base
Available customization	Yes – recommended if using aftermarket vent



Stainless base option
with baffle liner

AVAILABLE HEIGHTS

Z300+
Available from
over 42" – 54"

Z300
Available from
24"–42"

