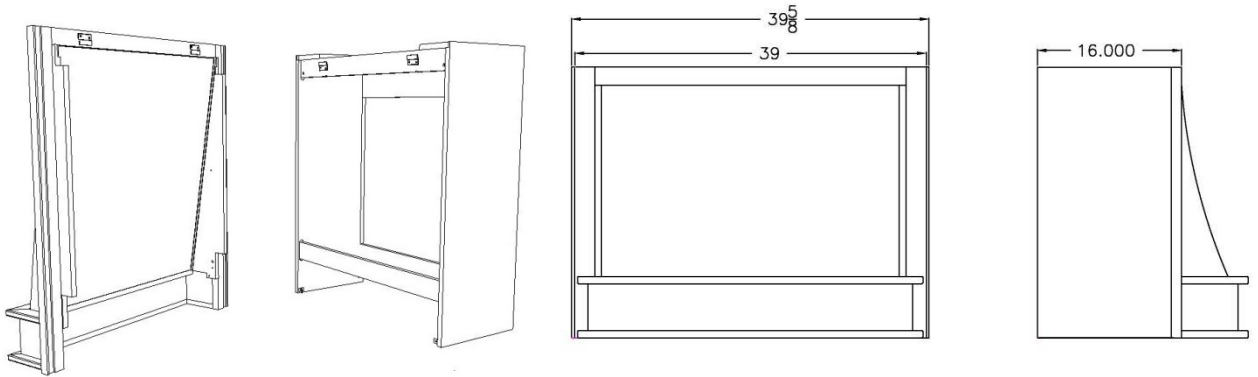




Z200 Series	
Standard Widths	33, 36, 39, 42, 45, 48, 51, 54, 57, 60, 63 or custom
Standard Heights	30, 36, 42, 48 or custom
Removable Front Option – RF	N/C option Changes box depth to 16" - overall depth the same. There is a 5/16" reveal in front of rear box -requires 3/4" of distance from top of hood to ceiling in order to lift hood over guide clips *On RT hoods there are important structural components which cannot be compromised. Any cutting or moving of any structural component will immediately void all warranties and may compromise the structural integrity of the hood.
Standard assumptions	2" top rail on top of hood Hoods which are 48" or under will have vertical grain on curved section – hoods over that will have horizontal grain on sloped section Radius of slope will change as hood increases in height Not available under 30" tall
Depth of rear box	12" or 13" at request (n/c) – 16" if using RF option
Depth of hood	22.25"
Depth of hood to tips of moldings	23-3/8"
Ventilator	Stainless Moderne Mesh, Baffle or Imperial liner - - If odd number width subtract 3" for vent size, if even subtract 6" for vent width
Baffle liner Adjustment	Increase base height to 8.75 – REQUIRES Min height of 31" tall
Available Options	- (RF) Removable Front Option - CURVED BATTENS – NOT AVAILABLE ON THIS HOOD
Available customization	Yes – recommended if using aftermarket vent

RF (Removable Front Option)- Z200 Example

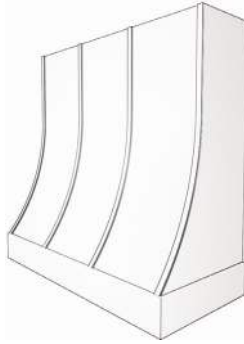
- Full front of hood (including face frame) removes for easier installation
 - Box is 16" deep rather than standard 12"
 - There is a reveal of 5/16 on front of box
- Must be able to lift face $\frac{3}{4}$ " up to put on over clips



Z200 Standard Hood
(Standard widths- custom width and heights available)

Z200- 33
Z200- 36
Z200- 39
Z200- 42
Z200- 45
Z200- 48
Z200- 51
Z200- 54
Z200- 57
Z200- 60
Z200 -63





Curved battens are available in all of our standard species. They are ordered one at a time and we recommend they be shipped loose with the hood. They are available for the E, E2 and E3 hoods.

We recommend they are shipped loose because stain grade battens are cut from solid wood. The straight portion of the batten at the top is long grain. When the batten starts to curve it becomes end grain. End grain will absorb stain differently and usually darken compared to the rest of the wood. Your finish process must take this into account, this is not considered a defect. Finishing the battens off the hood is recommended but not required.

