



C Series shown with Gold Stainless Base (CGS)



BX Series shown with Stainless Steel Base (BXSS)



Underside view – Baffle filters will always be stainless steel regardless of selected finish

Stainless Base w/ Baffle Filters

Metal Baffle Bases can be ordered in place of the 6” high Hardwood Base on many of our range hood designs, and also serve as the hoods ventilation system. These Metal Baffle Bases consist of a 6” metal bottom and a fully integrated baffle liner on the underside complete with LED lights, stainless steel baffle filters, and control knobs.

Available Widths	30, 36, 42, 48, 54, 60 (custom widths are not available)		
Motor Options	600/300 CFM, 1200 CFM		
Available Hood Models	B, BX, BXV, C, CX, D, E, E200, ER200, ER600, FX200, G, and GT		
Standard Finishes <i>(in stock)</i>	Stainless Steel (SS)		
PRICE LEVEL 1 (SPECIAL ORDER 6-8 WEEK LEAD TIME)			
Gold Stainless (GS)	Stainless w/ Matte clear (SMC)	Dark stainless (DSB)	Powder Coat: Aged Bronze (PC-AB)
Powder Coat: Speckled Pewter (PC-SP)	Powder Coat: Wilson Blue (PC-WB)	Powder Coat: Gardenia (PC-GA)	
Powder Coat: Traffic White (PC-TW)	Powder Coat: Jet Black (PC-JB)	Powder Coat: Flat Black Matte (PC-BM)	
PRICE LEVEL 2 (SPECIAL ORDER 6-8 WEEK LEAD TIME)			
Brushed Brass Coated (BBC)	Brushed Brass *will patina (BB)	Smoked Brass (SB)	
Brushed Copper *will patina (BC)	Brushed Copper Coated (BCC)	Smoked Copper (SC)	

700 South Gaspie Street • Oxford, MI 48371 • (248) 572-6880 • email: sales@wood-hood.com • www.wood-hood.com

SS-BASE VENTILATION

STANDARD FINISH (Stocked at Factory)



Stainless Steel - SS

SPECIAL ORDER FINISHES (6-8 week lead-time)

PRICE LEVEL 1



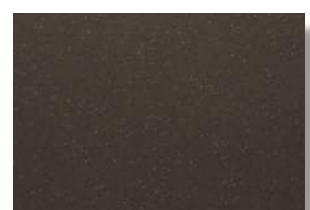
Gold Stainless
GS



SS w/ Matte Clear
SMC



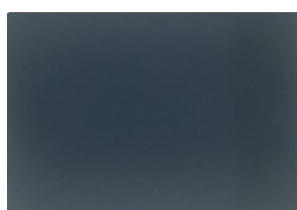
Dark Stainless
DSB



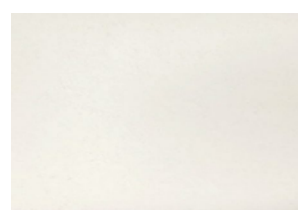
Powder Coat: Aged Bronze
PC-AB



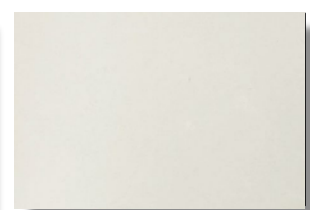
Powder Coat: Speckled Pewter
PC-SB



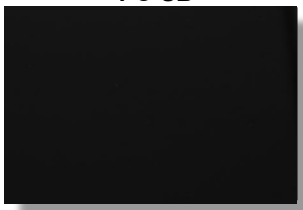
Powder Coat: Wilson Blue
PC-WB



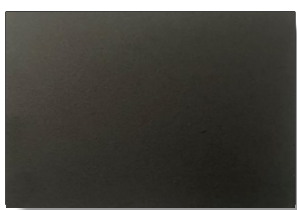
Powder Coat: Gardenia
PC-GA



Powder Coat: Traffic White
PC-TW



Powder Coat: Jet Black
PC-JB



Powder Coat: Flat Black Matte
PC-BM

PRICE LEVEL 2



Brushed Brass Coated
BBC



Brushed Brass **will patina*
BB



Smoked Brass
SB



Brushed Copper **will patina*
BC



Brushed Copper Coated
BCC



Smoked Copper
SC

SS Base w/ Baffle Filters

Technical Features:

- 6" high metal base available in 17 finishes
- Fully integrated baffle liner on the underside of metal base
- Dimmer controlled LED lighting
 - Variable speed fan control
- Large dishwasher safe brushed stainless steel baffle filters
 - Several blower combinations available
- Liner sizes available from 30" – 60"



Stanisci Design ventilation has been engineered specifically for Stanisci Design Range Hoods, and are in-stock and ready to ship!

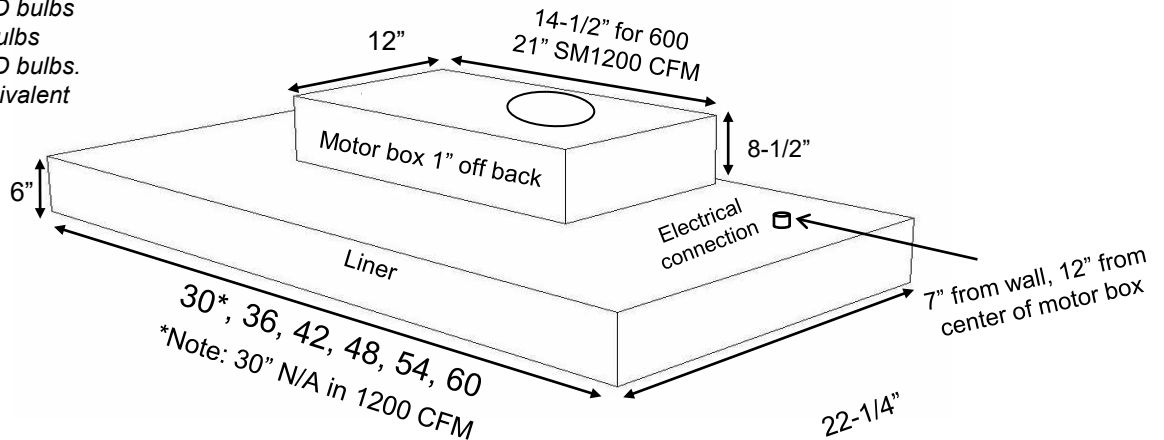
Features your customers want:

- Dishwasher safe filters
- Easy cleaning
- Dimmer controlled LED lighting
- European design
- Three year in home warranty
- Quiet, variable speed blower- made in Germany



SM600/300 SS-BASE-600/300-XX	600 CFM motor *comes with optional wire harness to reduce max CFM to 300	SM1200 SS-BASE-1200-XX	1200 CFM motor
DUCTING	8" ROUND	DUCTING	10" ROUND
AMPS	110V - 15 amp dedicated circuit	AMPS	110V - 15 amp dedicated circuit
SS-BASE-600/300-30: 30 W x 22-1/4 D SS-BASE-600/300-36: 36 W x 22-1/4 D SS-BASE-600/300-42: 42 W x 22-1/4 D SS-BASE-600/300-48: 48 W x 22-1/4 D SS-BASE-600/300-54: 54 W x 22-1/4 D SS-BASE-600/300-60: 60 W x 22-1/4 D		NOT AVAILABLE IN 30" WIDE SS-BASE-1200-36: 36 W x 22-1/4 D SS-BASE-1200-42: 42 W x 22-1/4 D SS-BASE-1200-48: 48 W x 22-1/4 D SS-BASE-1200-54: 54 W x 22-1/4 D SS-BASE-1200-60: 60 W x 22-1/4 D	

30-42" liners have 2 LED bulbs
 48" liners have 3 LED bulbs
 54-60" liners have 4 LED bulbs.
 LED BULBS – 50W equivalent



Vent Width / Model

WOOD HOOD MODEL & SIZE	SS-BASE-30	SS-BASE-36	SS-BASE-42	SS-BASE-48	SS-BASE-54	SS-BASE-60
C, CX, E200, ER200, ER600, FX200	30	36	42	48	54	60
B, D, E, G, GT	N/A	36	42	48	54	60
BX, BXV	30	36	42	48	54	60

Professional Mesh Liners

Technical Features:

- Dimmer LED lighting
- Variable speed fan control
- Large dishwasher safe stainless steel mesh insert filters
 - Several blower combinations available
- Liner sizes available from 30" – 60"
- Made exclusively for Stanisci Design by Modern-Aire Ventilation



Stanisci Design ventilation has been engineered specifically for Stanisci Design Range Hoods, and are in-stock and ready to ship!

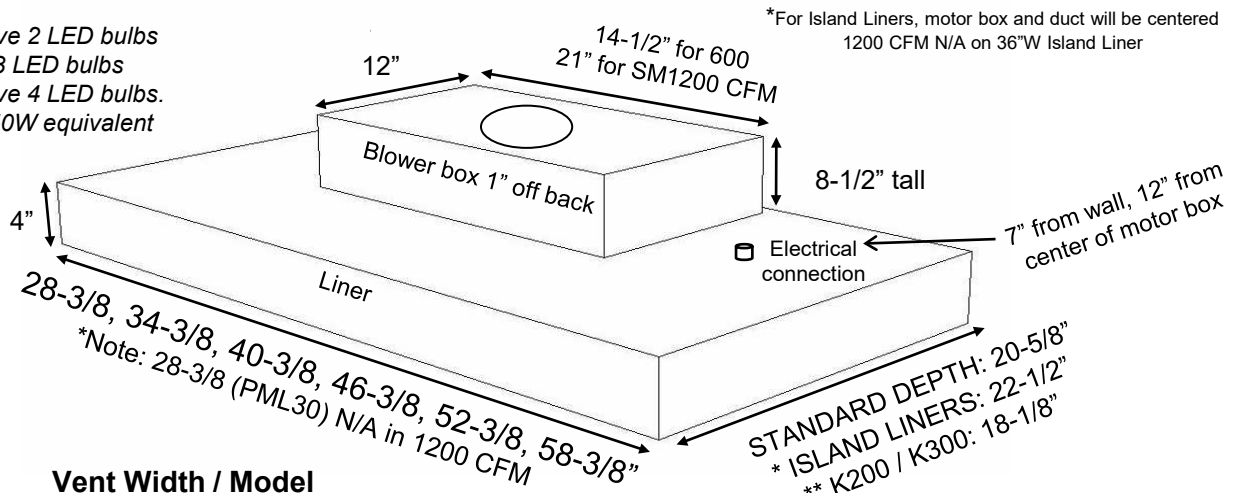
Features your customers want:

- Dishwasher safe filters
- Dimmer controlled LED lighting
- European design
- Three year in home warranty
- Quiet, variable speed blower- made in Germany
- Charcoal filters available for re-circulating applications (air must be directed out of hood to maintain warranties).



SM600/300 PML-600/300-XX	600 CFM motor *comes with optional wire harness to reduce max CFM to 300	SM1200 PML-1200-XX	1200 CFM motor
DUCTING	8" ROUND	DUCTING	10" ROUND
AMPS	110V - 15 amp dedicated circuit	AMPS	110V - 15 amp dedicated circuit
PML-600/300-30: 28-3/8 W x 20-5/8 D PML-600/300-36: 34-3/8 W x 20-5/8 D PML-600/300-42: 40-3/8 W x 20-5/8 D PML-600/300-48: 46-3/8 W x 20-5/8 D PML-600/300-54: 52-3/8 W x 20-5/8 D PML-600/300-60: 58-3/8 W x 20-5/8 D		NOT AVAILABLE IN 30" WIDE PML-1200-36: 34-3/8 W x 20-5/8 D PML-1200-42: 40-3/8 W x 20-5/8 D PML-1200-48: 46-3/8 W x 20-5/8 D PML-1200-54: 52-3/8 W x 20-5/8 D PML-1200-60: 58-3/8 W x 20-5/8 D	

30-42" liners have 2 LED bulbs
 48" liners have 3 LED bulbs
 54-60" liners have 4 LED bulbs.
 LED BULBS – 50W equivalent



Vent Width / Model

WOOD HOOD MODEL & SIZE	28-3/8"	34-3/8"	40-3/8"	46-3/8"	52-3/8"	58-3/8"
	PML-30	PML-36	PML-42	PML-48	PML-54	PML-60
C,CX, E200, E300, ER200, ER300, ER400, ER500, ER600, FX200, FX300, K200**, K300**, L2, SB100	30	36	42	48	54	60
I – ISLAND (36 N/A w/1200 CFM)	N/A	36	42	48	54	60
B, D, E, G, GT	N/A	36	42	48	54	60
W	NA	N/A	N/A	66	72	78, 84, 90
H, L, N	NA	54	60	66	72	78
BX, BXV, M, Q, X	30	36	42	48	54	60
A, J, P, S, Z200	33 or 36	39 or 42	45 or 48	51 or 54	57 or 60	63
H2	42	48	54	60	66	72
AX	31	37	43	49	55	61

700 South Glaspie Street • Oxford, MI 48371 • (248) 572-6880 • email: sales@wood-hood.com • www.wood-hood.com

Professional Baffle Liners

Technical Features:

- Dimmer controlled LED lighting
 - Variable speed fan control
- Large dishwasher safe brushed stainless steel baffle filters
 - Large capture area
 - Several blower combinations available
- Liner sizes available from 30" – 60"
- 22 gauge Stainless Steel



Stanisci Design ventilation has been engineered specifically for Stanisci Design Range Hoods, and are in-stock and ready to ship!

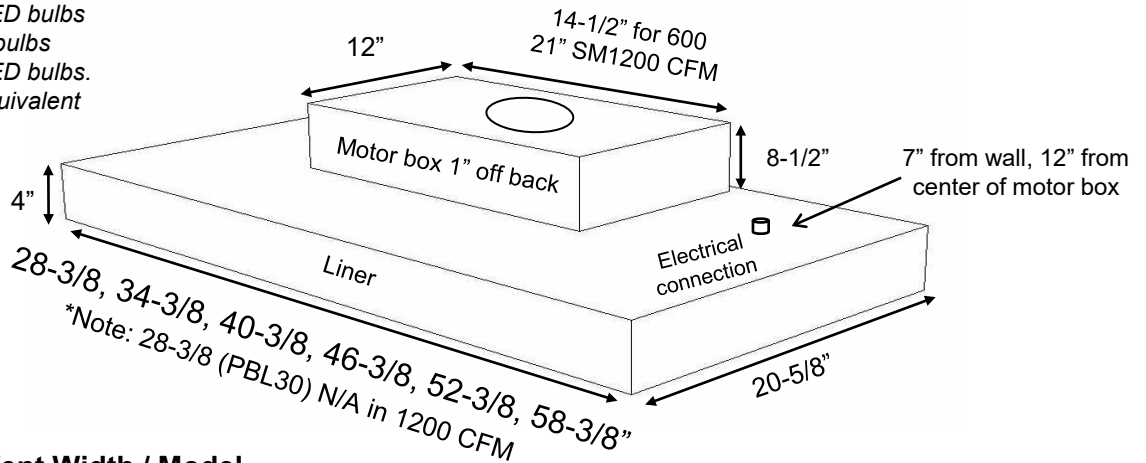
Features your customers want:

- Dishwasher safe filters
- Easy cleaning
- Dimmer controlled LED lighting
- European design
- Three year in home warranty
- Quiet, variable speed blower- made in Germany



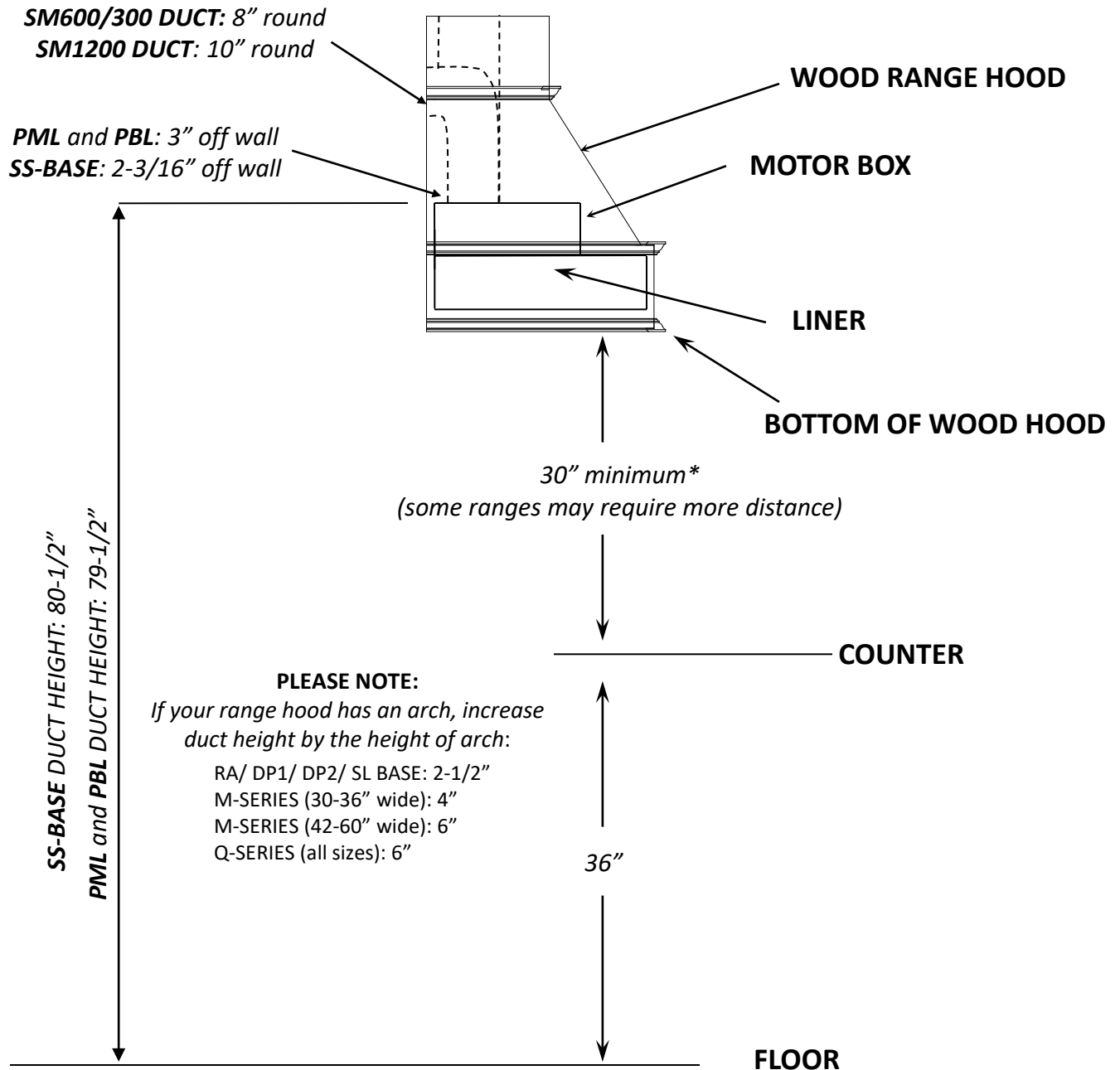
SM600/300 PBL-600/300-XX	600 CFM motor *comes with optional wire harness to reduce max CFM to 300	SM1200 PBL-1200-XX	1200 CFM motor
DUCTING	8" ROUND	DUCTING	10" ROUND
AMPS	110V - 15 amp dedicated circuit	AMPS	110V - 15 amp dedicated circuit
PBL-600/300-30: 28-3/8 W x 20-5/8 D PBL-600/300-36: 34-3/8 W x 20-5/8 D PBL-600/300-42: 40-3/8 W x 20-5/8 D PBL-600/300-48: 46-3/8 W x 20-5/8 D PBL-600/300-54: 52-3/8 W x 20-5/8 D PBL-600/300-60: 58-3/8 W x 20-5/8 D		NOT AVAILABLE IN 30" WIDE PBL-1200-36: 34-3/8 W x 20-5/8 D PBL-1200-42: 40-3/8 W x 20-5/8 D PBL-1200-48: 46-3/8 W x 20-5/8 D PBL-1200-54: 52-3/8 W x 20-5/8 D PBL-1200-60: 58-3/8 W x 20-5/8 D	

30-42" liners have 2 LED bulbs
 48" liners have 3 LED bulbs
 54-60" liners have 4 LED bulbs.
 LED BULBS – 50W equivalent



Vent Width / Model

WOOD HOOD MODEL & SIZE	28-3/8"	34-3/8"	40-3/8"	46-3/8"	52-3/8"	58-3/8"
	PBL-30	PBL-36	PBL-42	PBL-48	PBL-54	PBL-60
C,CX, E200, E300, ER200, ER300, ER400, ER500, ER600, FX200, FX300, L2, SB100	30	36	42	48	54	60
B, D, E, G, GT	N/A	36	42	48	54	60
W	N/A	N/A	N/A	66	72	78, 84, 60
H, L, N	NA	54	60	66	72	78
BX, BXV, M, Q, X	30	36	42	48	54	60
A, J, P, S, Z200	33 or 36	39 or 42	45 or 48	51 or 54	57 or 60	63
H2	42	48	54	60	66	72
AX	31	37	43	49	55	61



**Please note some cooktops require the range hood to be mounted higher than 30", see manufacturers specifications*



This page left intentionally blank

Imperial Premium Liners

- Dimmer controlled LED lighting
- Variable speed fan control
- Stainless Steel design w/ large, easy to clean aluminum mesh filters
- Large capture area
- 2 Internal motor combinations
- Sizes to fit 36" through 48" decorative range hoods
- Temperature-controlled auto-on feature



Stanisci Design ventilation has been engineered specifically for Stanisci Design Range Hoods, and are in-stock and ready to ship!

Features your customers want:

- Easy to clean filters
- Quiet, variable speed, single or dual blowers
- Dimmer controlled 5 Watt LED lighting, comparable to 50 Watt Halogen
- Temperature-controlled auto-on feature
- Three year in home warranty.

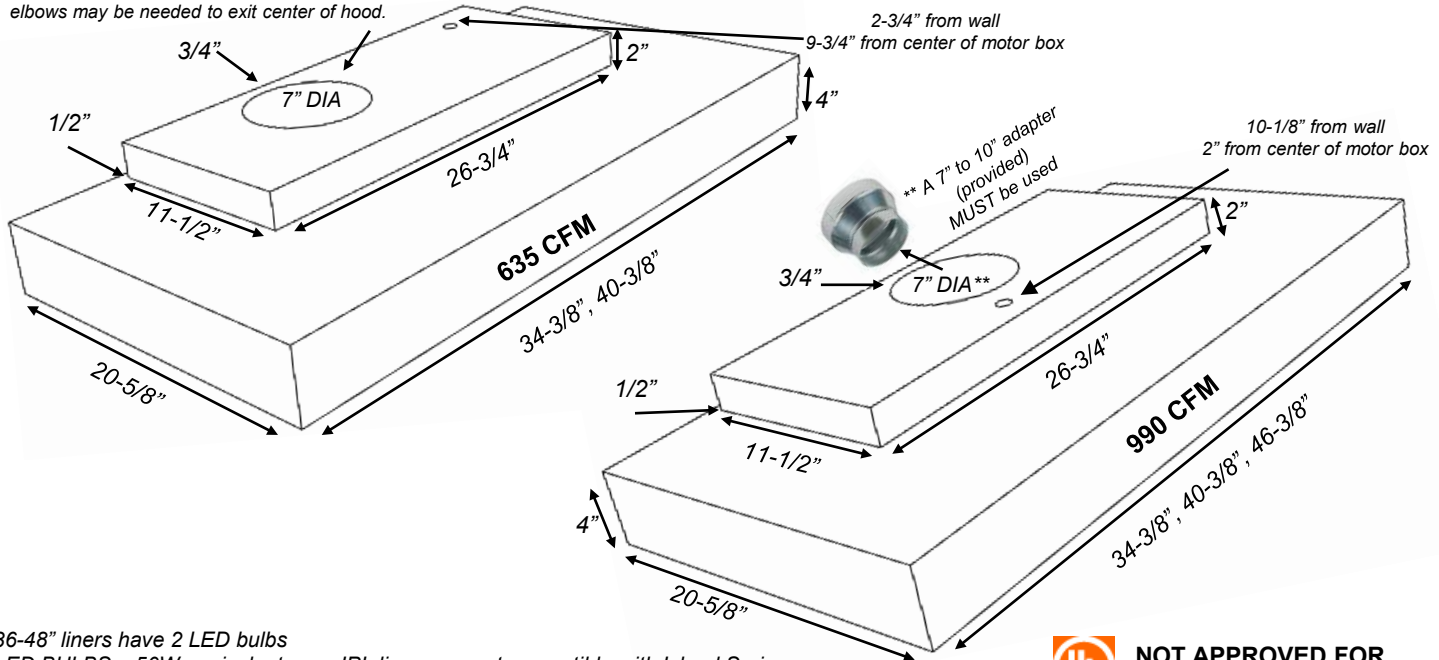


NOT APPROVED FOR
USE IN CANADA

635 IPL-635-XX	635 CFM motor
DUCTING	7" ROUND (4.25" off center)
AMPS	110V - 15 amp dedicated circuit
IPL-635-36:	34-3/8 W x 20-5/8 D
IPL-635-42:	40-3/8 W x 20-5/8 D

990 IPL-990-XX	990 CFM motor
DUCTING	10" ROUND
AMPS	110V - 15 amp dedicated circuit
IPL-990-36:	34-3/8 W x 20-5/8 D
IPL-990-42:	40-3/8 W x 20-5/8 D
IPL-990-48:	46-3/8 W x 20-5/8 D

Duct is offset 4-3/8" left. One or more adjustable 7" elbows may be needed to exit center of hood.



36-48" liners have 2 LED bulbs
LED BULBS – 50W equivalent

IPL liners are not compatible with Island Series.



**NOT APPROVED FOR
USE IN CANADA**

Wood Hood Model and Size	28-3/8"	34-3/8"	40-3/8"	46-3/8"
		IPL-36	IPL-42	IPL-48
C, CX, E200, E300, ER200, ER300, ER400, ER500, ER600, FX200, FX300, L2, SB100	N/A	36	42	48
B, D, E, G, GT	N/A	36	42	48
W	N/A	N/A	NA	66
H, L, N	N/A	54	60	66
BX, BXV, M, Q, X	N/A	36	42	48
A, J, P, S, Z200	N/A	39 or 42	45 or 48	51 or 54
H2	N/A	48	54	60
AX	N/A	37	43	49

700 South Gaspie Street • Oxford, MI 48371 • (248) 572-6880 • email: sales@wood-hood.com • www.wood-hood.com

Imperial Standard Liners

- LED lighting
- Two speed fan control
- Large capture area
- Single 360 CFM Air Ring Fan
- Liner sizes 30" and 36"
- Stainless Steel design w/ large, easy to clean aluminum mesh filters



Stanisci Design ventilation has been engineered specifically for Stanisci Design Range Hoods, and are in-stock and ready to ship!

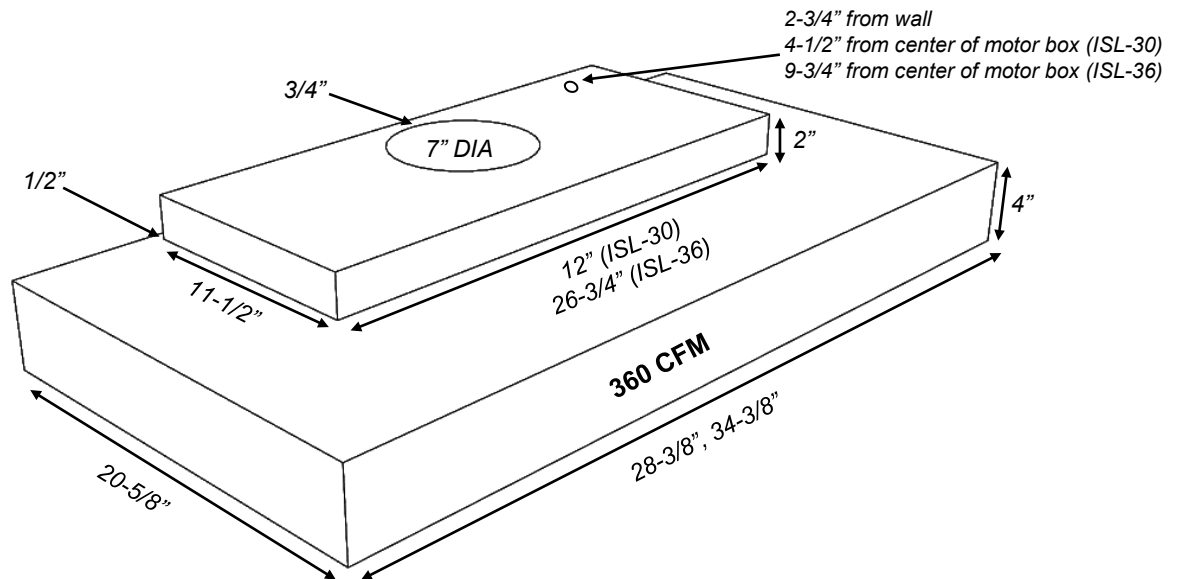
Features your customers want:

- Easy to clean filters
- Two speed fan control
- Single- 5 Watt LED, comparable to 50 Watt Halogen with Hi-Lo switch
- Three year in home warranty
- Axial Fan



NOT APPROVED FOR
USE IN CANADA

360 ISL-360-XX	360 CFM motor
DUCTING	7" ROUND
AMPS	110V - 15 amp dedicated circuit
ISL-360-30:	28-3/8 W x 20-5/8 D
ISL-360-36:	34-3/8 W x 20-5/8 D



30" and 36" liners have 1 LED bulb
LED BULBS – 50W equivalent

ISL liners are not compatible with Island Series.

Wood Hood Model and Size	28-3/8"	34-3/8"
	ISL-30	ISL-36
C, CX, E200, E300, ER200, ER300, ER400, ER500, ER600, FX200, FX300, L2, SB100	30	36
B, D, E, G, GT	N/A	36
W	N/A	N/A
H, L, N	48	54
BX, BXV, M, Q, X	30	36
A, J, P, S, Z200	33 or 36	39 or 42
H2	42	48
AX	31	37

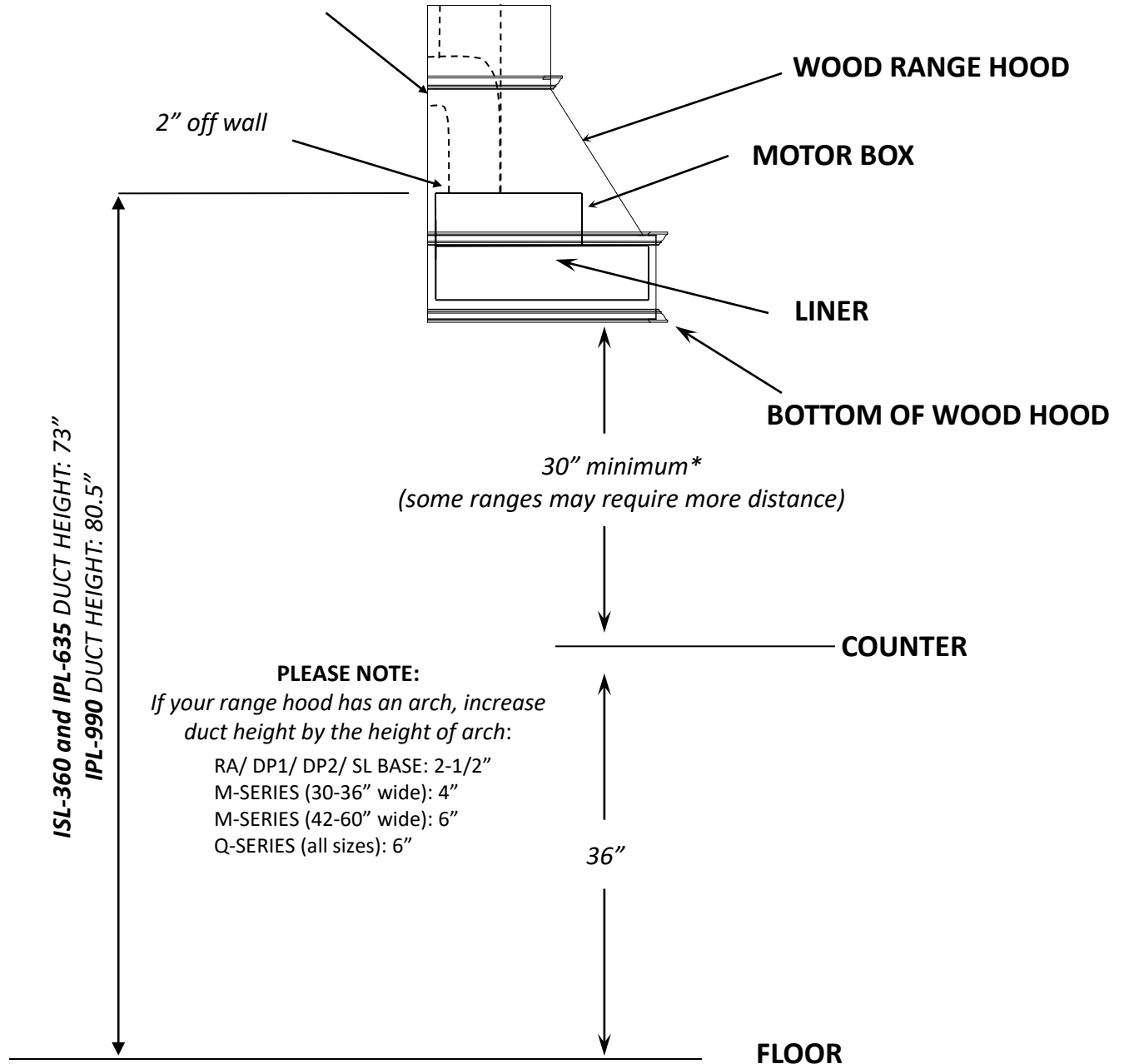
PLEASE NOTE: Cleaning filter in a dishwasher may cause discoloration. A degreaser (409, Simple Green...) in a sink is recommended.



**NOT APPROVED FOR
USE IN CANADA**

ISL-360 and IPL-635 DUCT: 7" round

IPL-990 DUCT: 10" round (must use 7" to 10" transition piece)



*Please note some cooktops require the range hood to be mounted higher than 30", see manufacturers specifications

Ventilation fundamentals:**Length and width**

No range hood on the market is completely effective unless it covers the heat source completely. Wall mounted hoods should extend at least to the front of the cooktop and on a standard cooktop, cover the entire cooktop from left to right. When using a residential commercial cooktop, the hood should overextend the cooktop a minimum of 3" on both the left and right side if possible.

Height

The bottom of the hood should be 30" from the cooking surface. It generally provides the most effective and attractive-looking installation. Some cooking appliance manufacturers require wood range hoods to be mounted higher. Please install according to the cooking appliance manufacturers recommendation.

In situations where ducting has several elbows or runs long distances, it is recommended to step up to the next larger blower size.

Internal Motors

Internal blowers are mounted inside the wood hood above the metal liner. They push the air through the duct.

Note: Externally mounted blowers are mounted outside the home typically on the roof or an exterior wall. We do not sell externally mounted blowers

System Noise

Noise is created in ventilation by air movement. Disrupting air flow with ducting turns increase noise. To minimize noise, run the ducting as straight as possible. The swirling of air within the blower unit also creates noise.

Back draft prevention:

Stanisci Design liners do not contain back draft dampers. If the cold or hot air has made its way to the range hood the kitchen will be affected. We recommend wall or roof caps with spring loaded dampers. We do not stock these, however they are readily available in the market.