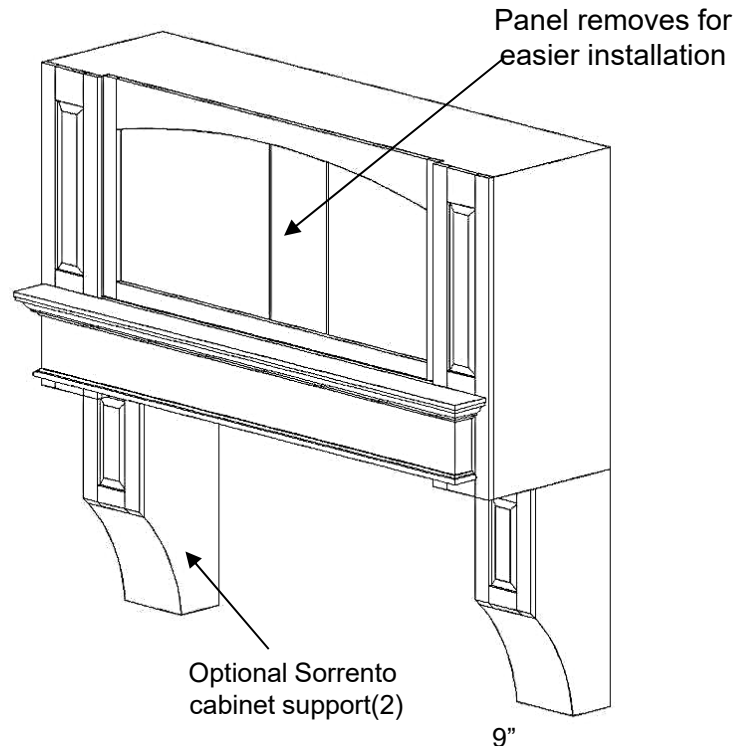




**U-Series with standard valance, classical molding package 1 and optional sorrento hood supports with traditional corbels**

Top crown molding not included



Optional Sorrento cabinet support(2)

9"

U Series	
Standard Widths	66, 72, 84, 90 or custom
Standard Heights	32, 38, 44 - To determine height take ceiling height minus 66" and plus 2". This will leave hood 30" above range .
Removable panel	Standard, there is an access panel standard – see pic above
Standard Assumptions	-Minimum width would be range plus 18" for legs <b>plus</b> building code distance required from inside leg -9" wide columns -3-1/8 Niche depth -3" at top to mount crown on
Depth of hood	22.25" box depth less moldings Depth of legs 19—1/2"
Depth of hood to tips of moldings	Classical or Simple (24-1/2 – to mantle shelf molding
Distance moldings protrude past sides	0
Ventilator	Stainless Moderne Mesh, Baffle or Imperial liner
Baffle liner Adjustment	Does not apply
Available Moldings	Classic or Simple
Available option	-Corbels – should be around 5 x 5 x 10 -Sorrento Pull out spice racks
Available customization	Yes – recommended if using aftermarket vent

#### U- Standard

Standard heights of 32, 38 and 44" (custom sizes available)

U 6632

U 6638

U 6644

U 7232

U 7238

U 7244

U 8432

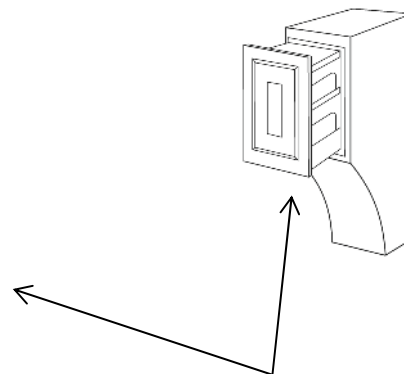
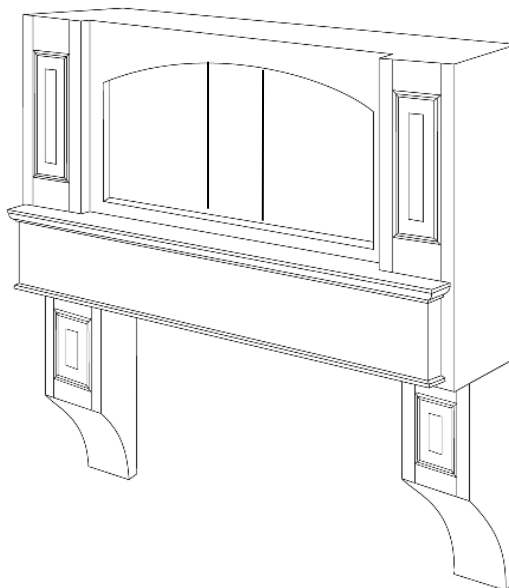
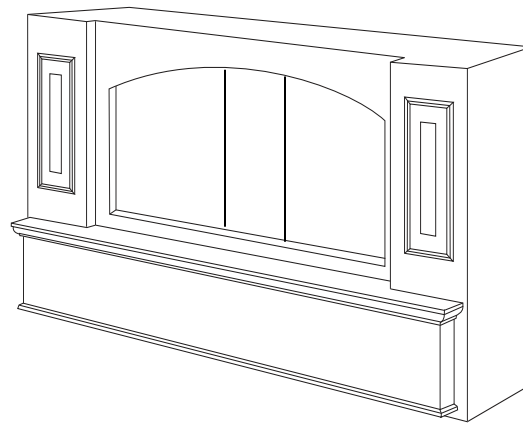
U 8438

U 8444

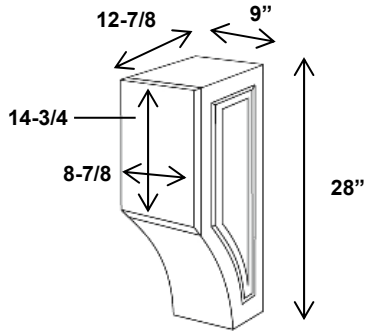
U 9032

U 9038

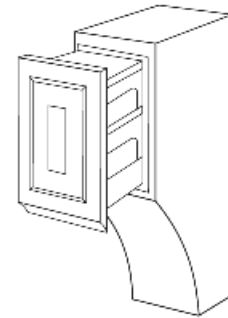
U 9044



**U-Series also available with Sorrento hood supports. See next page for more information.**



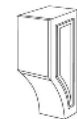
Comes  
STANDARD with  
Spice Rack - n/c



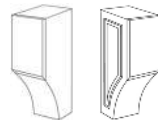
### 1. Side Choice:



Slab both sides – n/c



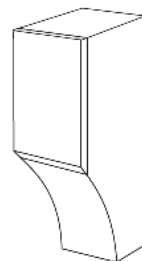
Panel both sides – not recommended if mounted against cabinets



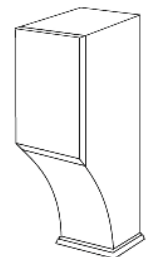
Hybrid  
slab on outside and  
panel on inside

### 2. Base Plate:

28" tall – no base plate – n/c

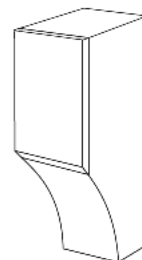


28" tall plus 1" base plate



### 3. Front :

No front door, slab front – n/c



Front door

