

Professional Baffle Liners

Technical Features:

- Dimmer controlled LED lighting
 - Variable speed fan control
- Large dishwasher safe brushed stainless steel baffle filters
 - Large capture area
 - Several blower combinations available
- Liner sizes available from 30" – 60"
- 22 gauge Stainless Steel



Stanisci Design ventilation has been engineered specifically for Stanisci Design Range Hoods, and are in-stock and ready to ship!

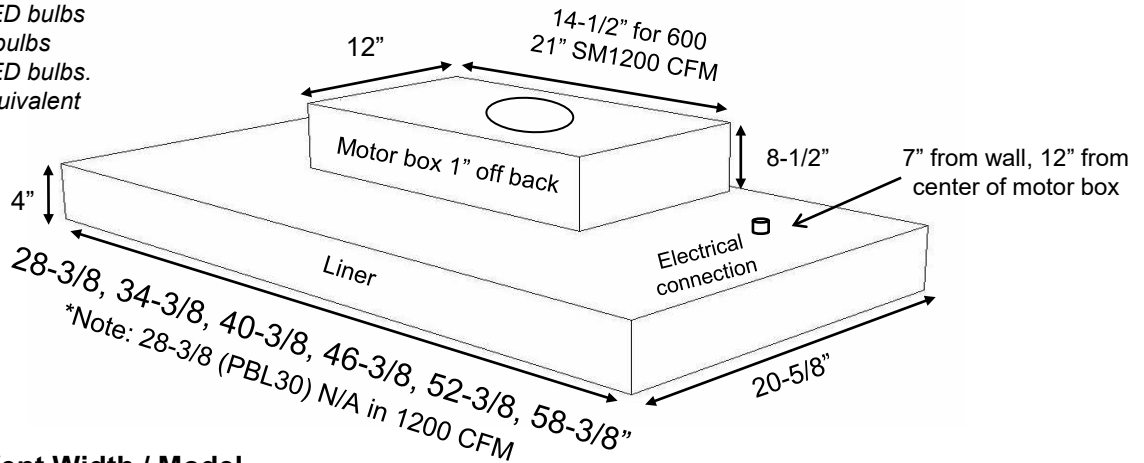
Features your customers want:

- Dishwasher safe filters
- Easy cleaning
- Dimmer controlled LED lighting
- European design
- Three year in home warranty
- Quiet, variable speed blower- made in Germany



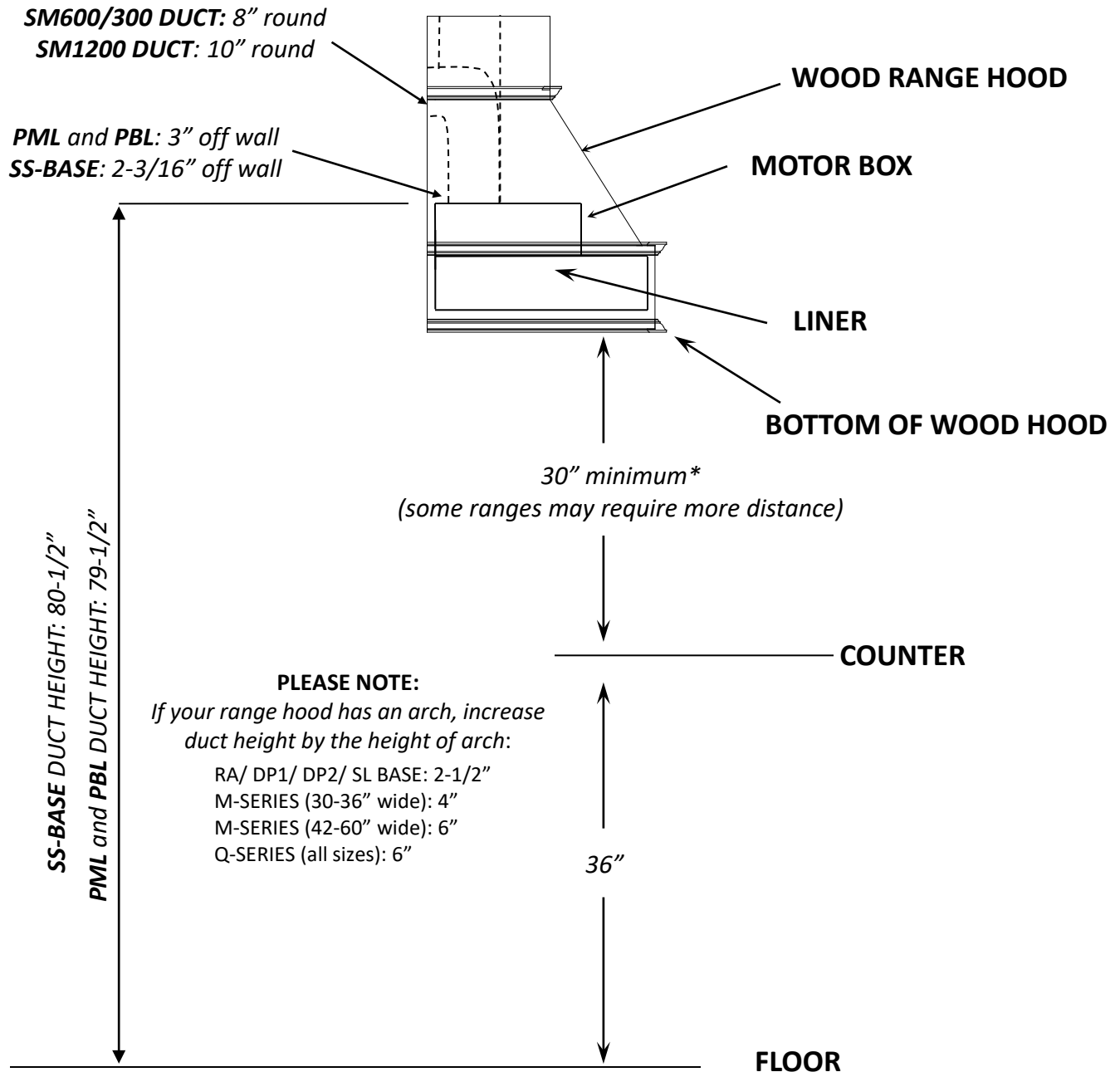
SM600/300 PBL-600/300-XX	600 CFM motor *comes with optional wire harness to reduce max CFM to 300	SM1200 PBL-1200-XX	1200 CFM motor
DUCTING	8" ROUND	DUCTING	10" ROUND
AMPS	110V - 15 amp dedicated circuit	AMPS	110V - 15 amp dedicated circuit
PBL-600/300-30: 28-3/8 W x 20-5/8 D PBL-600/300-36: 34-3/8 W x 20-5/8 D PBL-600/300-42: 40-3/8 W x 20-5/8 D PBL-600/300-48: 46-3/8 W x 20-5/8 D PBL-600/300-54: 52-3/8 W x 20-5/8 D PBL-600/300-60: 58-3/8 W x 20-5/8 D		NOT AVAILABLE IN 30" WIDE PBL-1200-36: 34-3/8 W x 20-5/8 D PBL-1200-42: 40-3/8 W x 20-5/8 D PBL-1200-48: 46-3/8 W x 20-5/8 D PBL-1200-54: 52-3/8 W x 20-5/8 D PBL-1200-60: 58-3/8 W x 20-5/8 D	

30-42" liners have 2 LED bulbs
 48" liners have 3 LED bulbs
 54-60" liners have 4 LED bulbs.
 LED BULBS – 50W equivalent



Vent Width / Model

WOOD HOOD MODEL & SIZE	28-3/8"	34-3/8"	40-3/8"	46-3/8"	52-3/8"	58-3/8"
	PBL-30	PBL-36	PBL-42	PBL-48	PBL-54	PBL-60
C,CX, E200, E300, ER200, ER300, ER400, ER500, ER600, FX200, FX300, L2, SB100	30	36	42	48	54	60
B, D, E, G, GT	N/A	36	42	48	54	60
W	N/A	N/A	N/A	66	72	78, 84, 60
H, L, N	NA	54	60	66	72	78
BX, BXV, M, Q, X	30	36	42	48	54	60
A, J, P, S, Z200	33 or 36	39 or 42	45 or 48	51 or 54	57 or 60	63
H2	42	48	54	60	66	72
AX	31	37	43	49	55	61



**Please note some cooktops require the range hood to be mounted higher than 30", see manufacturers specifications*