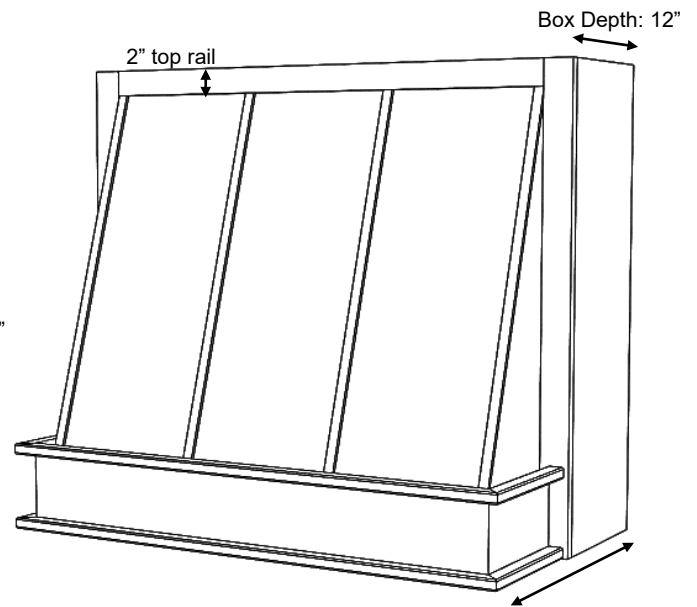


P Series shown with Hardwood Base (PHW)



*P Series shown with PL Base (PPL)
and optional Hardwood Battens*

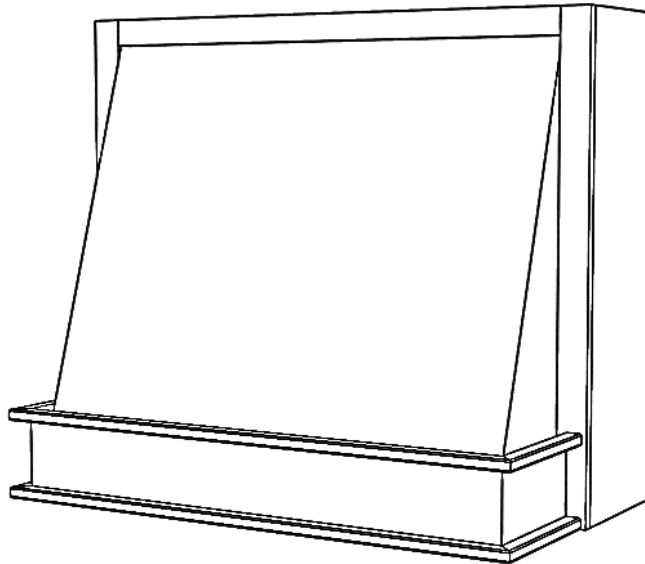
P Series

Standard Widths	33, 36, 39, 42, 45, 48, 51, 54, 57, 60, 63 (Reduced widths available)
Standard Heights	24, 30, 36, 42, 48 (Reduced heights available)
Removable Options	Removable Front (RF) – Rear Box Depth will be 16" – see modifications section. Applied Removable Panel (ARP) – see modifications section.
Ventilation	Hood must be a minimum of 3" wider than available vent width. Example: To use a 36" vent model, the hood should be a minimum of 39" wide
Available Moldings	#3 Basic is standard
Available Options	Hardwood Battens (See battens options page) 12" Box Depth can be modified by request
Grain Direction	Vertical (Base is horizontal)

Standard Heights: 24, 30, 36, 42, 48

P- PL Base

- PPL 33
- PPL 36
- PPL 39
- PPL 42
- PPL 45
- PPL 48
- PPL 51
- PPL 54
- PPL 57
- PPL 60
- PPL 63



P- Hardwood Base

- PHW 33
- PHW 36
- PHW 39
- PHW 42
- PHW 45
- PHW 48
- PHW 51
- PHW 54
- PHW 57
- PHW 60
- PHW 63

