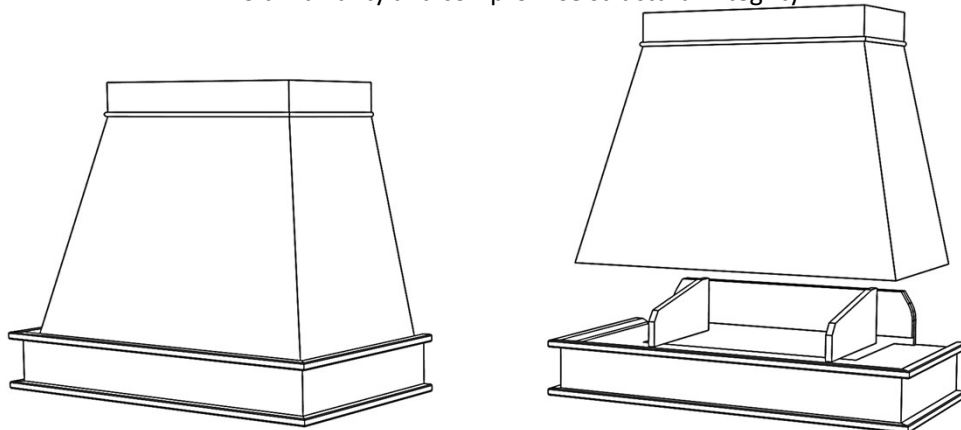


#### REMOVABLE TOP (RT)

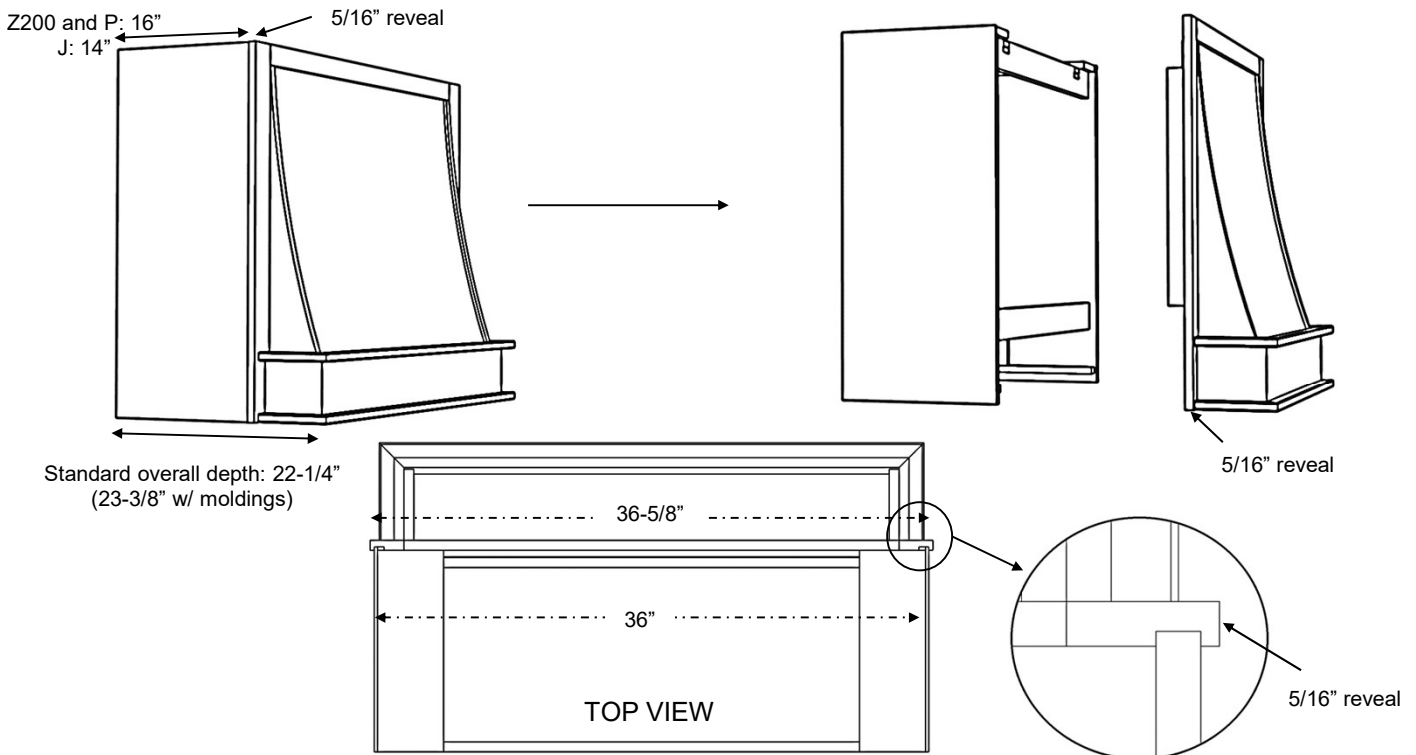
Base of the hood will be installed first with the ventilation. After all hook ups are complete – the chimney top will be attached. You will need a minimum of 3/4" clearance to lower chimney on guides. Cutting or trimming of parts in field will void warranty and compromise structural integrity.



**AVAILABLE ON THESE MODELS: BXHW, BXVHW, C, CX, E, E200, FX200, G, GT**

#### REMOVABLE FRONT (RF)

Entire front section lifts straight up 3/4" and removes. Vent is easily installed, then front section is reattached. The rear cabinet box will be 16" deep (14" for J- Series). There is a 5/16" reveal on the front frame to box (adds 5/8" to overall width of front section only). A minimum 3/4" vertical clearance is needed between hood top and ceiling so that you can slide onto guides. Cutting or trimming of parts in field will void warranty and compromise structural integrity.



**AVAILABLE ON THESE MODELS: J, P, Z200**

#### MODIFIED REMOVABLE PANEL (MRP)

Door panel is removable, and attaches with clips. Panel extends the full height of hood, and the lower seam is hidden behind a shelf. Crown can be laid on top of door once vent hook-ups are made.

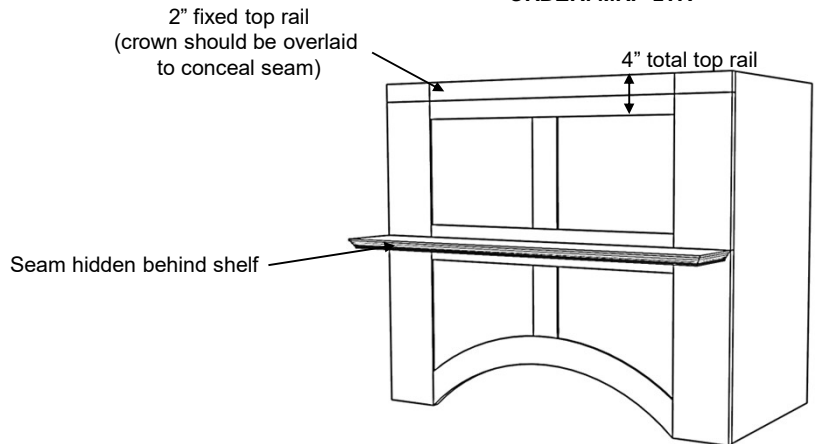
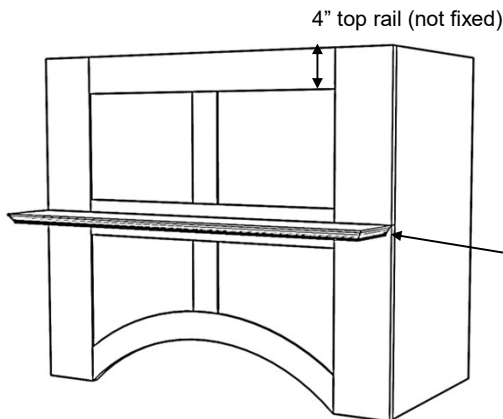
##### STANDARD MRP

no fixed top rail, panel extends full height of hood.

##### AVAILABLE BY CUSTOM REQUEST

2" fixed top, 4" total top rail.

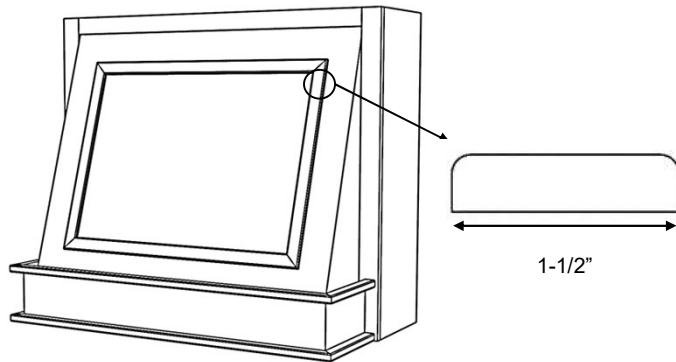
##### ORDER: MRP-2TR



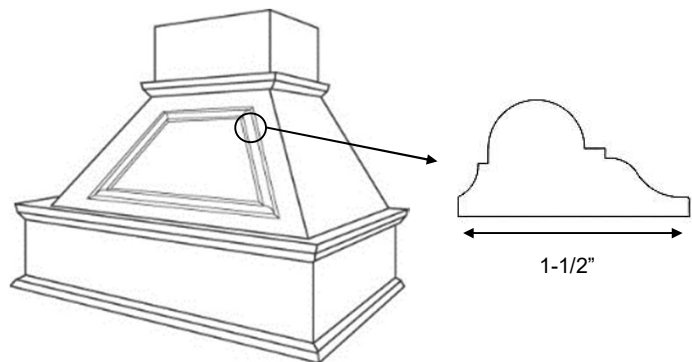
STANDARD ON THESE MODELS: H, H2, M, N, Q, SB100, W

#### APPLIED REMOVABLE PANEL (ARP)

An access panel is cut into the face of the hood, and decorative molding is applied to cover the seam.



Basic batten style molding is standard.  
ARP

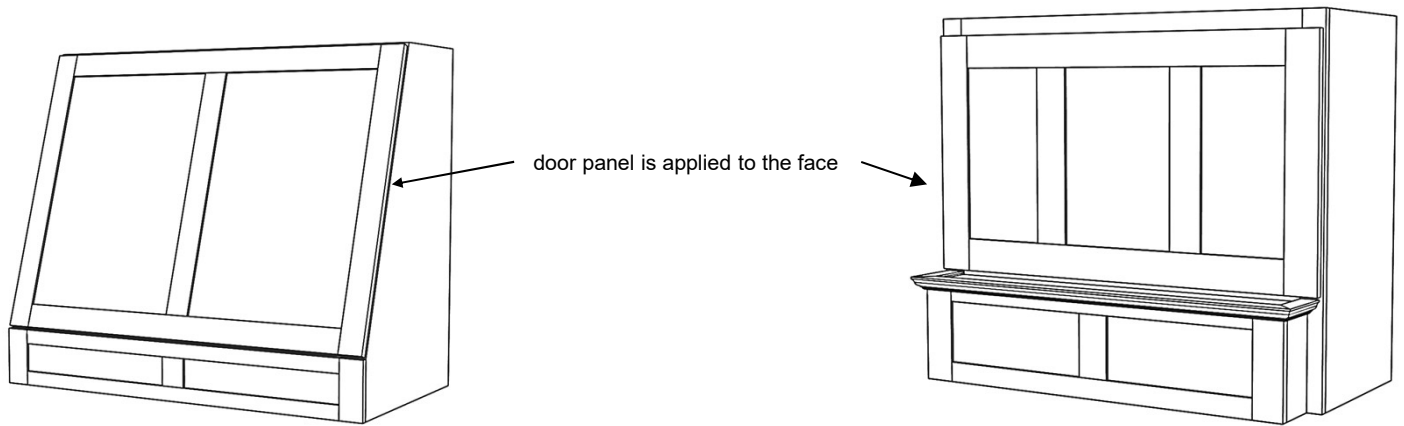


Decorative molding style available by request.  
ARP-D

AVAILABLE ON THESE MODELS: C, CX, G, GT, I, J, P

#### STANDARD REMOVABLE DOOR PANEL

A door panel is applied onto the face of the hood, and is removable.

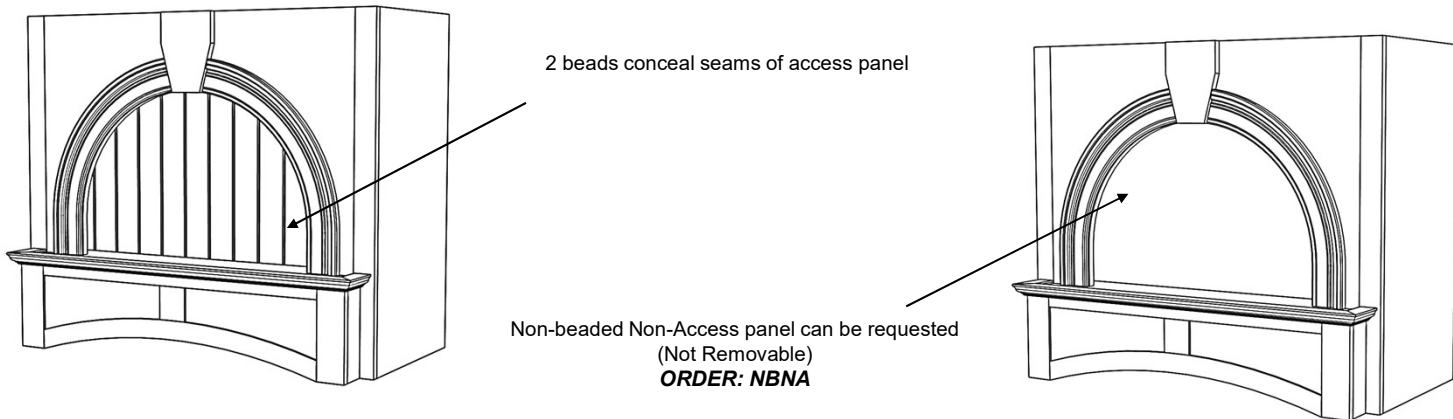


**STANDARD ON THESE MODELS: FX300, L2, S\***

*On all S-Series models, door removes by pulling upwards. Minimum 1/2" clearance is needed above top of door.*

#### BEADED ACCESS - CONCEALED

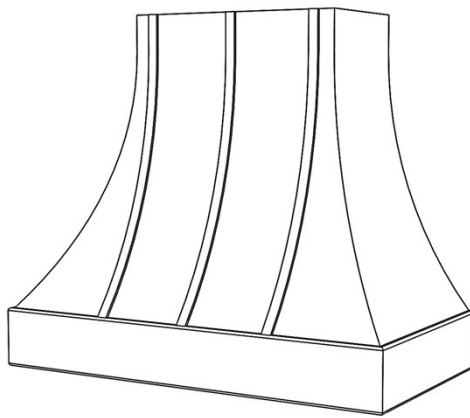
Decorative beading conceals 2 seams for the removable panel, secured by clips.



**STANDARD ON THESE MODELS: A, L**

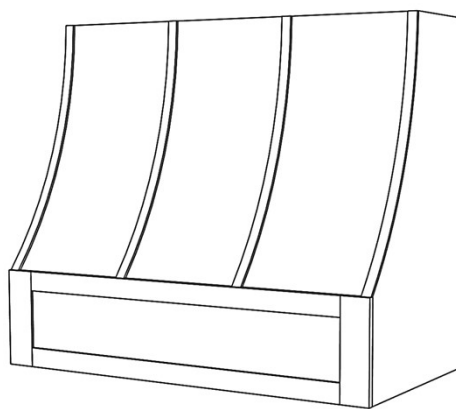
#### **CURVED BATTENS**

Curved Hardwood Battens are available in all of our standard species.



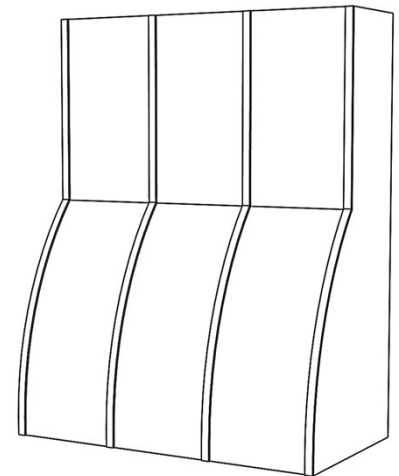
**AVAILABLE ON E-SERIES**

36" wide: 2 on face  
42" and 48" wide: 3 on face  
54" and 60" wide: 4 on face  
\* side battens available by request



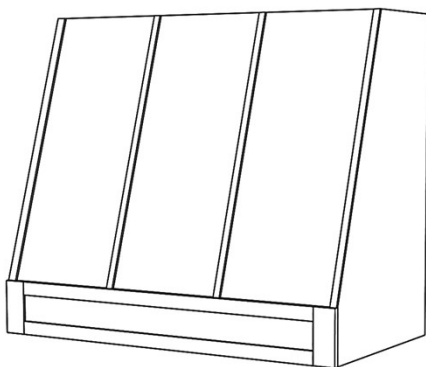
**AVAILABLE ON E200, E300, ER200, ER300, ER400, ER500, ER600**

30" – 48" wide: 4 battens on face  
54" and 60" wide: 5 battens on face

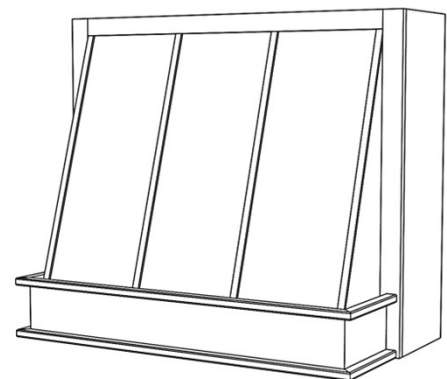


#### **Straight Battens**

Vertical Hardwood Battens are available in all of our standard species.

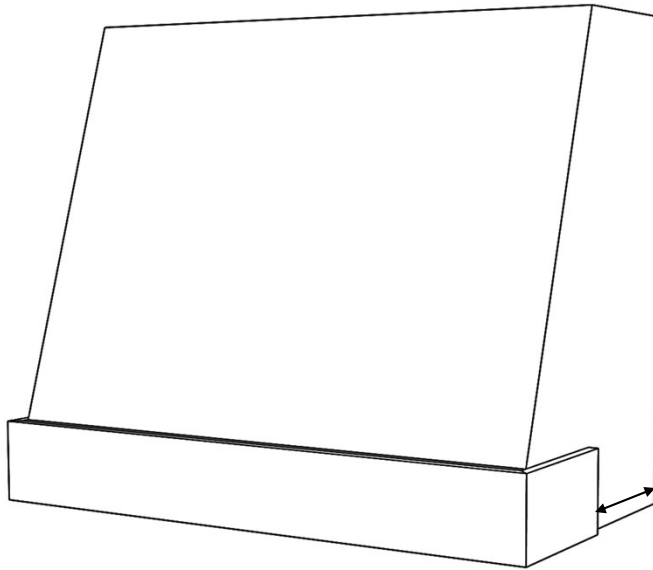


**AVAILABLE ON THESE MODELS: FX200, FX300, P**



#### Applied Hardwood Wrap

A 6" high hardwood wrap can be applied along the bottom of an In-Series hood to create the visual appearance of a separate base section. The wrap is shipped loose, and can be trimmed in-field to desired depth so sides remain flush for cabinet installation. This wrap can be applied in a different species than the hood to create a two-tone design.



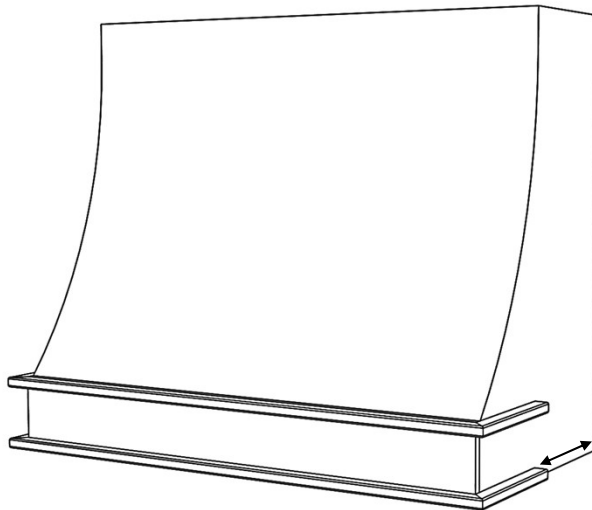
**\*\*Please consider door swings and clearances. Your cabinet design may require fillers or extended stiles\*\***

*Hardwood wrap will ship loose, mitered, and cut to full depth of hood. Can be trimmed in field to your desired depth.*

**AVAILABLE ON THESE MODELS: BX, BXV, E300, FX300, L2**

#### Applied Molding Wrap

Basic style moldings can be applied along the top and bottom trim of the base panel and sides of In-Series hoods to create the visual appearance of a separate base section. Moldings are shipped loose, and can be trimmed in-field to desired depth so sides remain flush for cabinet installation.



**\*\*Please consider door swings and clearances. Your cabinet design may require fillers or extended stiles\*\***

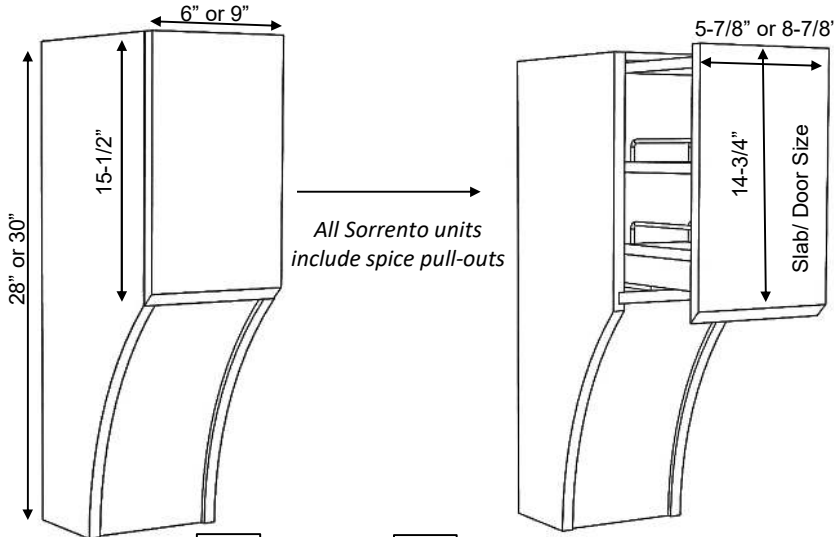
*Molding wrap will ship loose, mitered, and cut to full depth of hood. Can be trimmed in field to your desired depth.*

**AVAILABLE ON THESE MODELS: BX, BXV, E300, FX300, L2**

### Sorrento Spice Rack Supports

DESIGNED FOR THESE MODELS: H2, N, (AVAILABLE BY REQUEST ON ALL OTHER MODELS)

#### SECTION A – SIZE



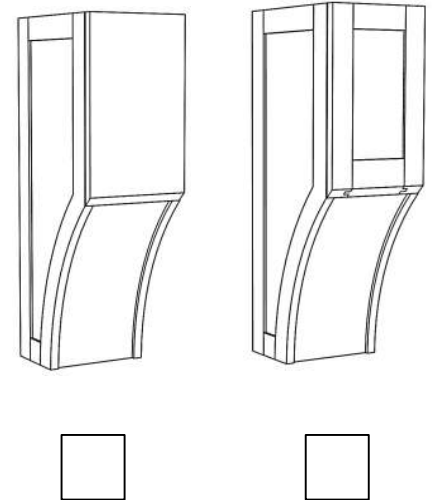
All Sorrento units include spice pull-outs

**WIDTH**  6"  9"  
\*must select one

**HEIGHT**  28"  30"  
\*must select one

#### SECTION B – FRONT PANEL

FRONT – SLAB PANEL      FRONT – DOOR PANEL



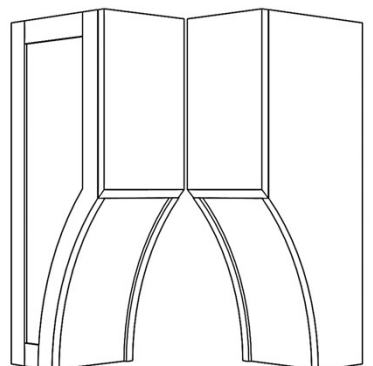
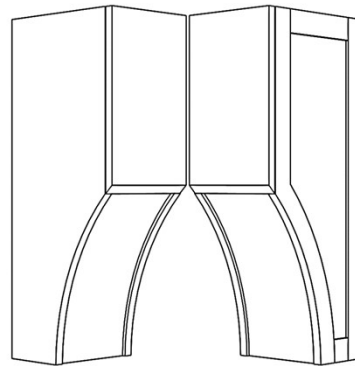
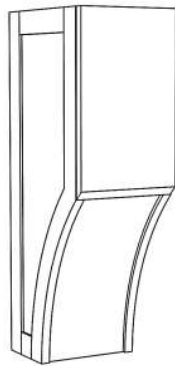
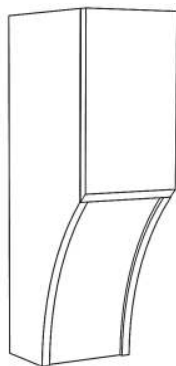
#### SECTION C – SIDE CHOICES

BOTH SIDES SLAB

BOTH SIDES DOOR PANEL

LEFT SIDE OF LEG – SLAB  
RIGHT SIDE OF LEG – DOOR PANEL  
\*image shows both sides of 1 leg

LEFT SIDE OF LEG – DOOR PANEL  
RIGHT SIDE OF LEG – SLAB  
\*image shows both sides of 1 leg



**LEFT SORRENTO LEG**  
\*must select one





**RIGHT SORRENTO LEG**  
\*must select one

**Providence Shallow**

*CBL-PRS3*



*3" x 4-3/4" x 10-1/2"*

**Princeton Wide**

*CBL-PRW3*



*4-1/2" x 4-3/4" x 10-1/2"*

**Provincial**

*CBL-PPC3*



*5" x 5" x 10"*

**Arts & Crafts**

*CBL-ART3*



*5" x 5" x 10"*

*Paint Grade, Maple, Red Oak, Cherry and Alder are in stock.  
All other species are special-ordered, and increases lead time approx. 1-2 weeks.  
(Please note drawings are not to scale, they have been adjusted to fit the page)*

***DIMENSIONS ARE: Width x Depth x Height***

#### Transitional

CBL-TR3



4-3/4" x 5-1/2" x 9-1/2"

#### Traditional

COR-TT2



4-1/4" x 4-5/8" x 10"

#### Acanthus

COR-AC2



5" x 5" x 10-1/2"

#### Acanthus Onlay

ONL-AC24



24" x 3/4" x 5-1/4"

#### Acanthus Corner Onlays

ONL-ACC3 (sold in pairs)



7-5/8" x 3/4" x 7-5/8"

*Paint Grade, Maple, Red Oak, Cherry and Alder are in stock.*

*All other species are special-ordered, and increases lead time approx. 1-2 weeks.*

*(Please note drawings are not to scale, they have been adjusted to fit the page)*

**DIMENSIONS ARE: Width x Depth x Height**