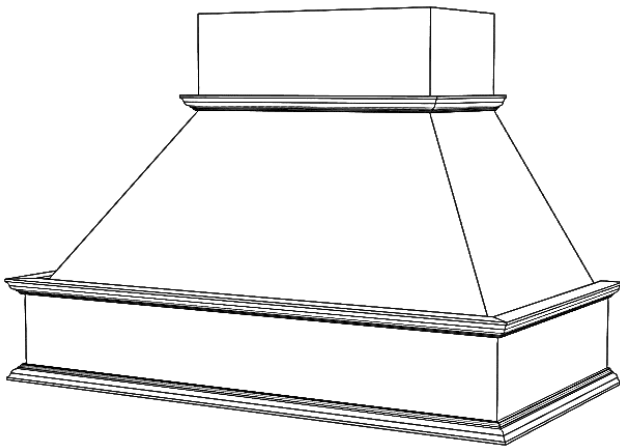
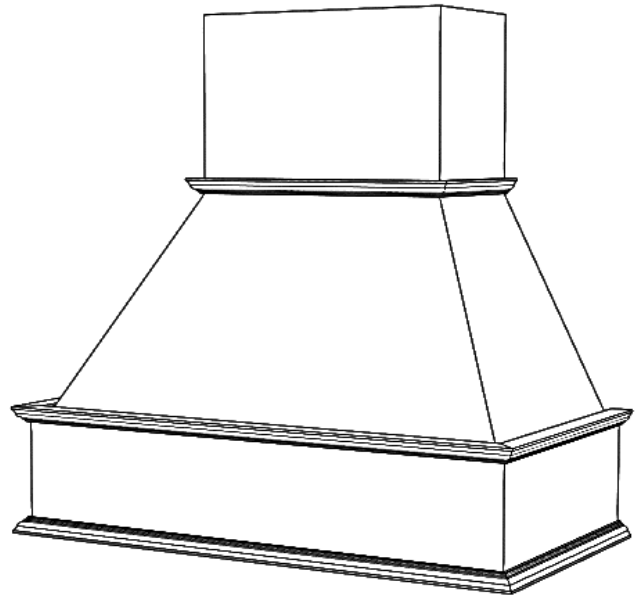


The G and GT Series hood are identical chimney style hoods however, the G Series is made for a shorter style hood while the GT Series is made for a taller style hood.



*G Series shown with Standard Base  
36 x 30*



*GT Series shown with Standard Base  
36 x 42*

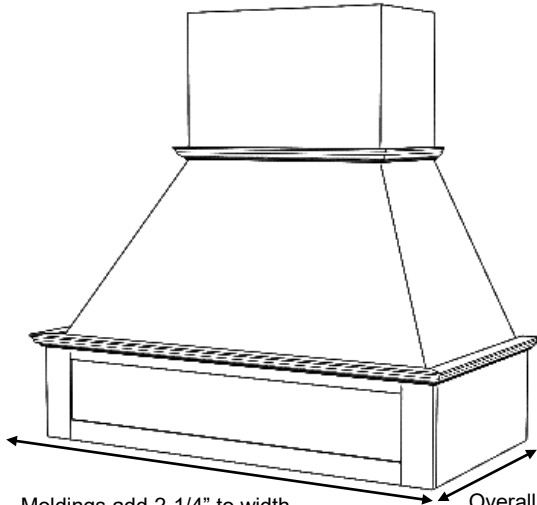
*(GT-Series was previously named T-Series)*

Previously Named: T

# STANISCI DESIGN

## Thompson - GT Series

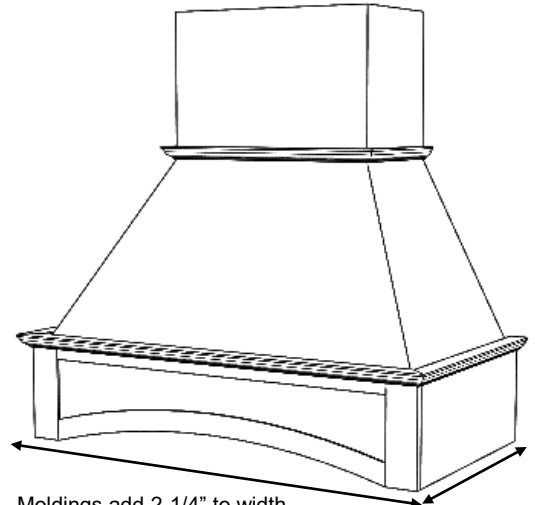
**Free Standing**



Moldings add 2-1/4" to width

Overall Depth is 23-3/8"

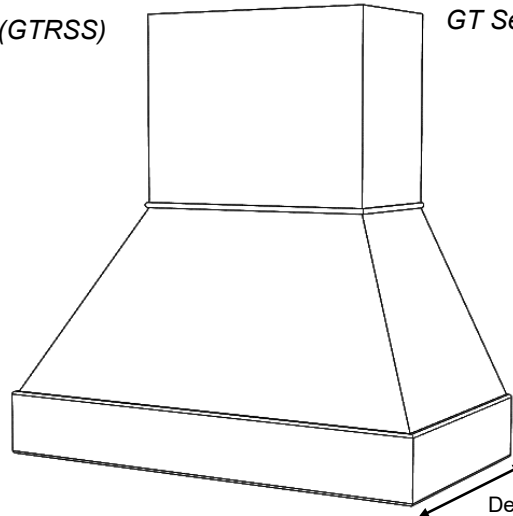
*GT Series shown with RSS Base (GTRSS) and #1 Classic moldings*



Moldings add 2-1/4" to width

Overall Depth is 23-3/8"

*GT Series shown with DP2 Base (GTDP2) and #1 Classic moldings*



Depth is 22-1/4"

*GT Series shown with Hardwood Base (GTHW)*

### GT Series

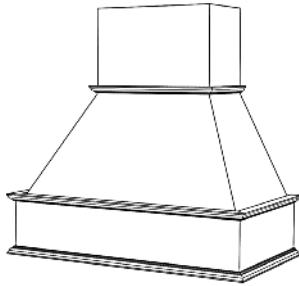
Standard Widths	36, 42, 48, 54, 60 (Reduced widths available)
Standard Heights	42" (Modified heights available) Chimney can be trimmed in the field
Removable Options	Removable Top (RT) – see modifications section. Applied Removable Panel (ARP) – see modifications section.
Ventilation	Hood will be same width as available vent width. Example: To use a 36" vent model, the hood should be a minimum of 36" wide
Available Moldings	#1 Classic, #2 Simple #3 Basic
Grain Direction	Vertical (Base is horizontal)

700 South Glaspie Street • Oxford, MI 48371 • (248) 572-6880 • email: sales@wood-hood.com • [www.wood-hood.com](http://www.wood-hood.com)

Standard Height: 42

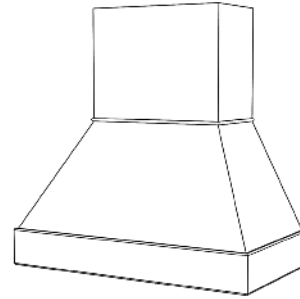
#### GT- Standard Base

- GT 36
- GT 42
- GT 48
- GT 54
- GT 60



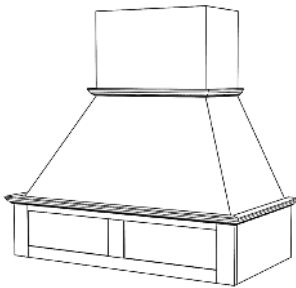
#### GT- Hardwood Base

- GTHW 36
- GTHW 42
- GTHW 48
- GTHW 54
- GTHW 60



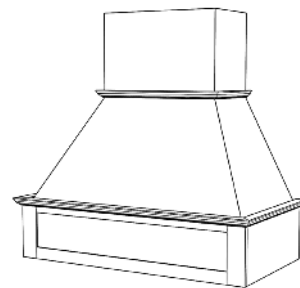
#### GT- RS Base

- GTRS 36
- GTRS 42
- GTRS 48
- GTRS 54
- GTRS 60



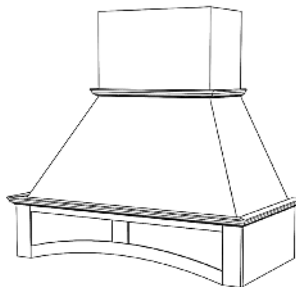
#### GT- RSS Base

- GTRSS 36
- GTRSS 42
- GTRSS 48
- GTRSS 54
- GTRSS 60



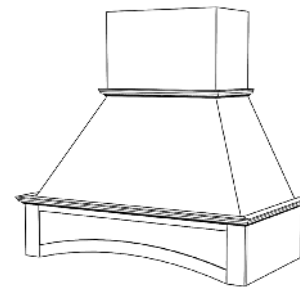
#### GT- RA Base

- GTRA 36
- GTRA 42
- GTRA 48
- GTRA 54
- GTRA 60



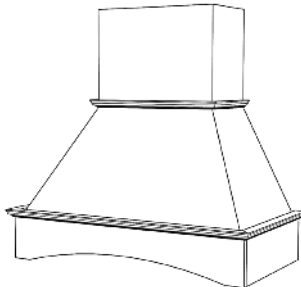
#### GT- DP2 Base

- GTDP2 36
- GTDP2 42
- GTDP2 48
- GTDP2 54
- GTDP2 60



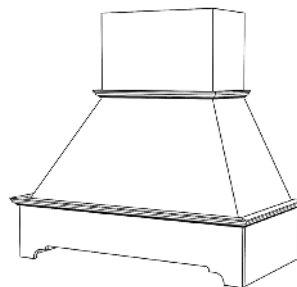
#### GT- SL Base

- GTSL 36
- GTSL 42
- GTSL 48
- GTSL 54
- GTSL 60



#### GT- DP1 Base

- GTDP1 36
- GTDP1 42
- GTDP1 48
- GTDP1 54
- GTDP1 60



#### GT- SS Base

- GTSS 36
- GTSS 42
- GTSS 48
- GTSS 54
- GTSS 60

