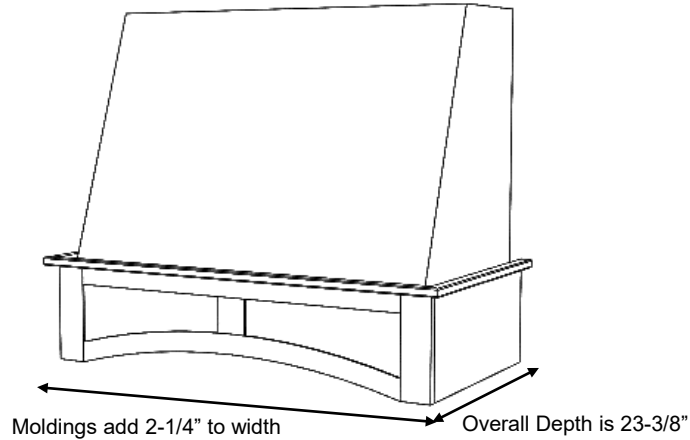
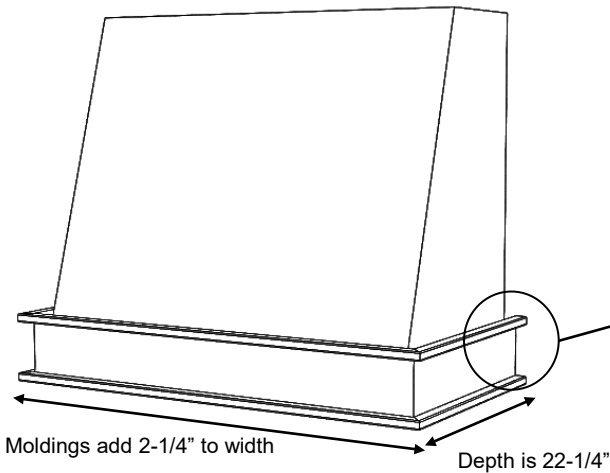


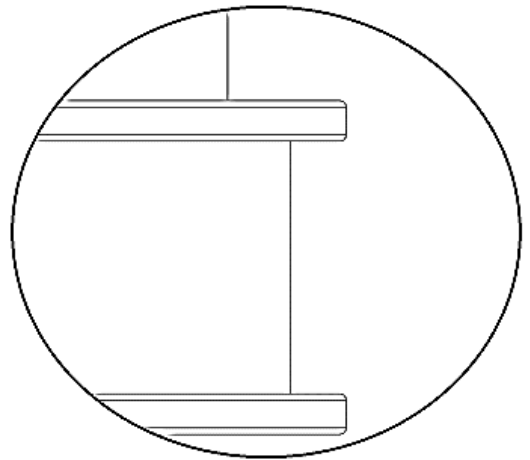
FX200 Series shown with Hardwood Base (FX200HW) and optional Hardwood Battens



FX200 Series shown with RA Base (FX200RA) and #3 Basic Moldings



FX200 Series shown with PL Base (FX200PL) and #3 Basic moldings



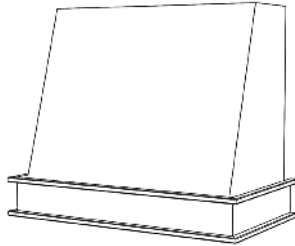
FX200 Series

Standard Widths	30, 36, 42, 48, 54, 60 (Reduced widths available)
Standard Heights	24, 30, 36, 42, 48 (Reduced heights available)
Removable Options	Removable Top (RT) – see modifications section.
Ventilation	Hood will be same width as available vent width. Example: To use a 36" vent model, the hood should be a minimum of 36" wide
Available Options	Hardwood Battens (See batten options page)
Grain Direction	Vertical (Base is horizontal)

Standard Heights: 24, 30, 36, 42, 48

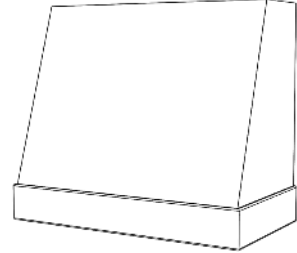
FX200- PL Base

- FX200PL 30
- FX200PL 36
- FX200PL 42
- FX200PL 48
- FX200PL 54
- FX200PL 60



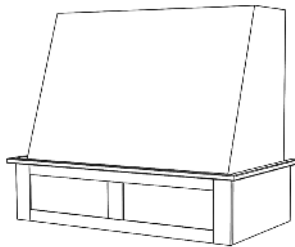
FX200- Hardwood Base

- FX200HW 30
- FX200HW 36
- FX200HW 42
- FX200HW 48
- FX200HW 54
- FX200HW 60



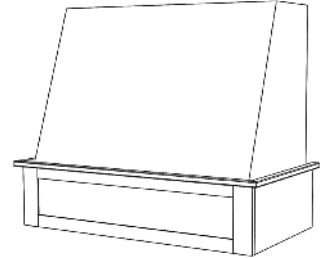
FX200- RS Base

- FX200RS 30
- FX200RS 36
- FX200RS 42
- FX200RS 48
- FX200RS 54
- FX200RS 60



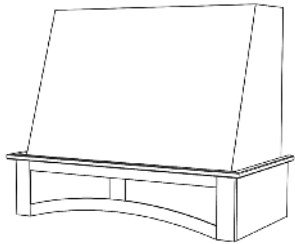
FX200- RSS Base

- FX200RSS 30
- FX200RSS 36
- FX200RSS 42
- FX200RSS 48
- FX200RSS 54
- FX200RSS 60



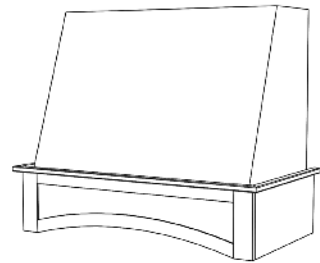
FX200- RA Base

- FX200RA 30
- FX200RA 36
- FX200RA 42
- FX200RA 48
- FX200RA 54
- FX200RA 60



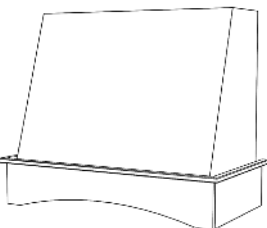
FX2- DP2 Base

- FX200DP2 30
- FX200DP2 36
- FX200DP2 42
- FX200DP2 48
- FX200DP2 54
- FX200DP2 60



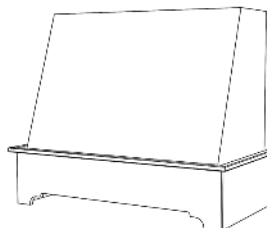
FX200- SL Base

- FX200SL 30
- FX200SL 36
- FX200SL 42
- FX200SL 48
- FX200SL 54
- FX200SL 60



FX200- DP1 Base

- FX200DP1 30
- FX200DP1 36
- FX200DP1 42
- FX200DP1 48
- FX200DP1 54
- FX002DP1 60



FX200- SS Base

- FX200SS 30
- FX200SS 36
- FX200SS 42
- FX200SS 48
- FX200SS 54
- FX200SS 60

