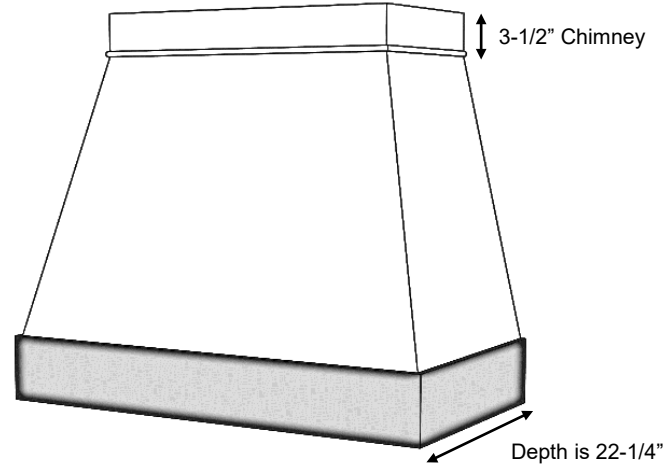
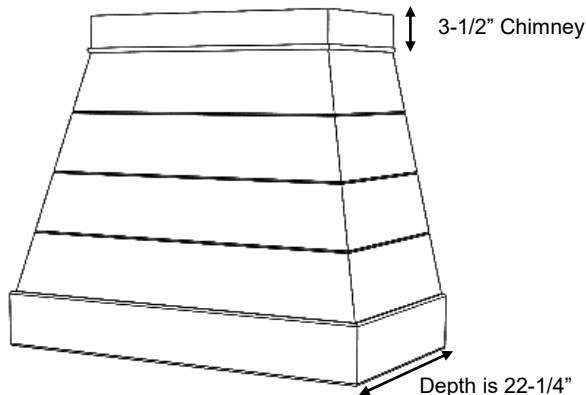


*C Series shown with PL Base (CPL) and #3 Basic moldings*



*C Series shown with Stainless Steel Base (CSS)*



*C Series shown with HW Base (CHWHB) and Horizontal Beading*



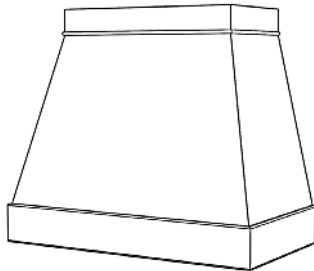
### C Series

Standard Widths	30, 36, 42, 48, 54, 60 (Reduced widths available)
Standard Heights	24, 30, 36, 42, 48, 54 (Reduced heights available)
Removable Options	Removable Top (RT) – see modifications section. Applied Removable Panel (ARP) – see modifications section.
Ventilation	Hood will be same width as available vent width. Example: To use a 36" vent model, the hood should be a minimum of 36" wide
Available Moldings	#3 Basic is standard #1 Classic or #2 Simple available upon request
Grain Direction	Horizontal Vertical grain available on a custom quote basis

Standard Heights: 24, 30, 36, 42, 48, 54

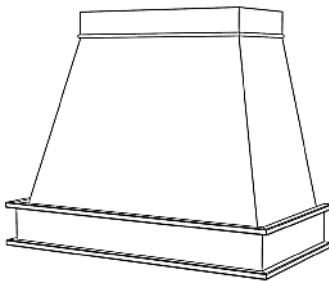
#### C- Hardwood Base

- CHW 30
- CHW 36
- CHW 42
- CHW 48
- CHW 54
- CHW 60



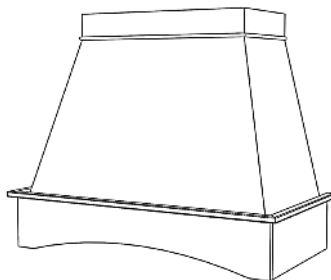
#### C- PL Base

- CPL 30
- CPL 36
- CPL 42
- CPL 48
- CPL 54
- CPL 60



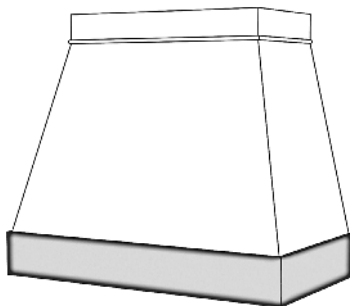
#### C- SL Base

- CSL 30
- CSL 36
- CSL 42
- CSL 48
- CSL 54
- CSL 60



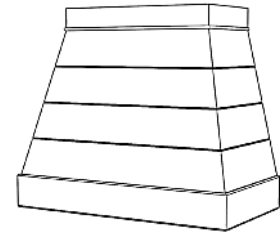
#### C- SS Base

- CSS 30
- CSS 36
- CSS 42
- CSS 48
- CSS 54
- CSS 60



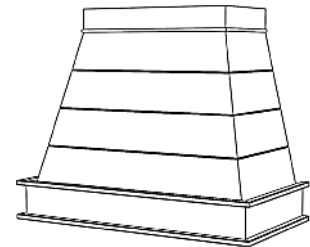
#### C-Hardwood Base, Horizontal Beading \*

- CHWHB 30
- CHWHB 36
- CHWHB 42
- CHWHB 48
- CHWHB 54
- CHWHB 60



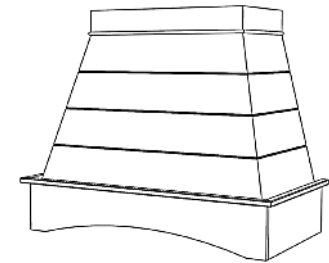
#### C- PL Base, Horizontal Beading \*

- CPLHB 30
- CPLHB 36
- CPLHB 42
- CPLHB 48
- CPLHB 54
- CPLHB 60



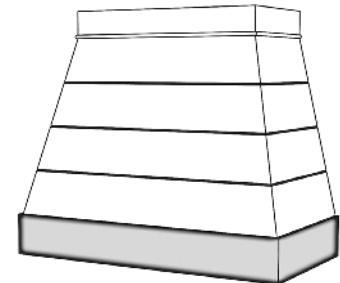
#### C- SL Base, Horizontal Beading \*

- CSLHB 30
- CSLHB 36
- CSLHB 42
- CSLHB 48
- CSLHB 54
- CSLHB 60



#### C- SS Base, Horizontal Beading \*

- CSSH 30
- CSSH 36
- CSSH 42
- CSSH 48
- CSSH 54
- CSSH 60



**\* # of Beads**

- 24" tall: 2 beads (3 sections)
- 30"-36" tall: 3 beads (4 sections)
- 42" tall: 4 beads (5 sections)
- 48"-54" tall: 5 beads (6 sections)