



B-Series hood 36 x 42 depicted with DP1 base and classic molding package 1



BDP1-Series 54 x 42 shown with classic molding package 1, corbels and Sorrento Hood Supports

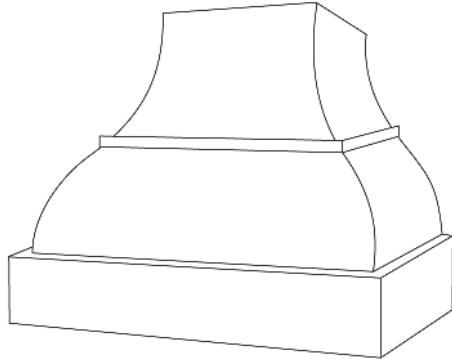
top crown molding not included *

B Series	
Standard Widths	36, 42, 48, 54 and 60 or custom
Standard Heights	30, 36, 42, 48 or custom Order height needed – do not cut down in field
Removable Top Option	Not Available
Standard assumptions	Grain will be vertical unless specified Base height – 6” for Hardwood or Stainless base Base height – 12” (Panel is 11.5” if DP1, DP2 or RA)
Depth of hood	22.25"
Depth of hood to tips of moldings	Hardwood NA Classical (24-11/16) Simple (24-7/16)
Distance moldings protrude past the sides of hood	SS, GS, BB or Hardwood - 0 Classical add 4-3/4 Simple 4-5/16
Ventilator	Stainless Moderne Mesh, Baffle or Imperial liner
Baffle liner Adjustment	Hardwood increase base height by 2-3/4 All other bases do not require height increase
Available Moldings	Hardwood (no molding) Classic, or Simple
Available option	-Veneer delete on upper section if using plaster – center molding will be shipped loose (Not suitable for painting) -Stainless Baffle Base
Available customization	Yes – recommended if using aftermarket vent

Standard heights of 30, 36 and 42" (custom heights available)

B- Standard Hood with Hardwood base

B 36
B 42
B 48
B 54
B 60



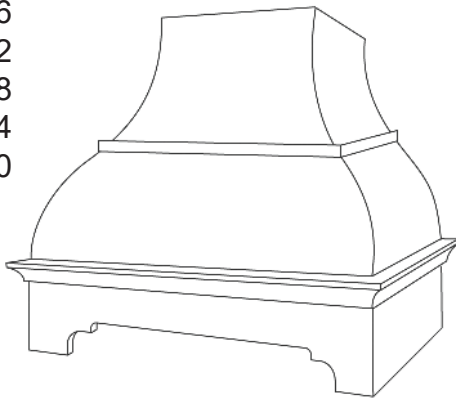
BSS- With Stainless Baffle base

BSS 36
BSS 42
BSS 48
BSS 54
BSS 60



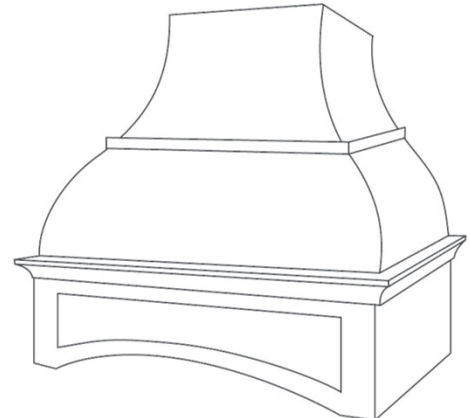
B- Decorative Panel Base 1

BDP1 36
BDP1 42
BDP1 48
BDP1 54
BDP1 60



B- Decorative Panel Base 2

BDP2 36
BDP2 42
BDP2 48
BDP2 54
BDP2 60



B- Arched Door Base

BRA 36
BRA 42
BRA 48
BRA 54
BRA 60

