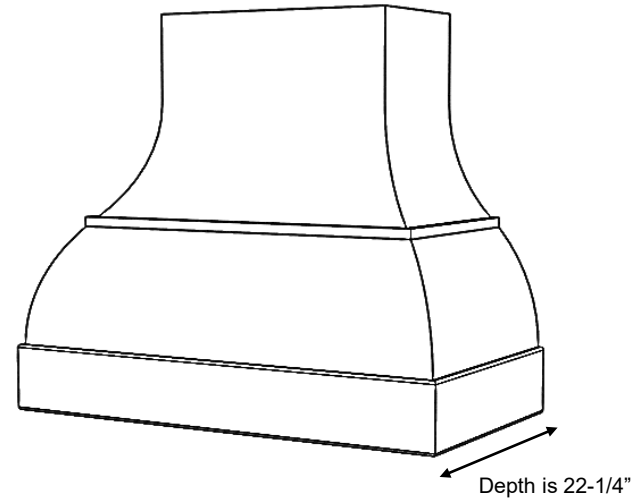
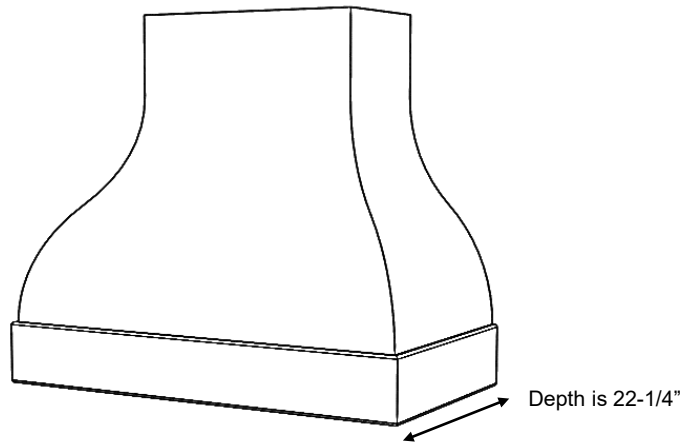


*B Series shown with DP2 Base (BDP2)  
and #1 Classic moldings*



*B Series shown with Hardwood Base (BHW)*



*B Series shown with Hardwood Base (BHW)  
and R.U.M. option*

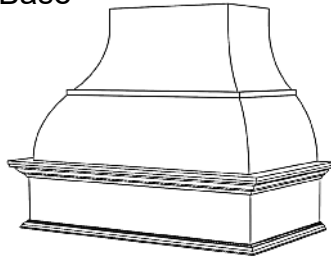
### B Series

Standard Widths	36, 42, 48, 54, 60 (Reduced widths available)
Standard Heights	30, 36, 42, 48 (Reduced heights available)
Removable Options	Not Available
Available Options	Remove Upper Molding - request R.U.M. option
Ventilation	Hood will be same width as available vent width. Example: To use a 36" vent model, the hood should be a minimum of 36" wide.
Available Moldings	#1 Classic, #2 Simple
Grain Direction	Vertical (Base is horizontal)

Standard Heights: 30, 36, 42, 48

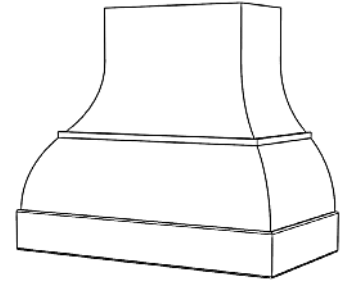
#### B- Standard Base

- B 36
- B 42
- B 48
- B 54
- B 60



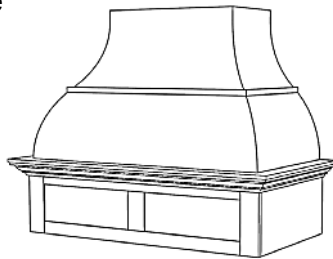
#### B- Hardwood Base

- BHW 36
- BHW 42
- BHW 48
- BHW 54
- BHW 60



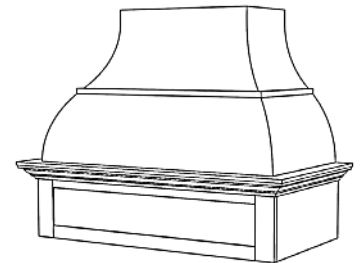
#### B- RS Base

- BRS 36
- BRS 42
- BRS 48
- BRS 54
- BRS 60



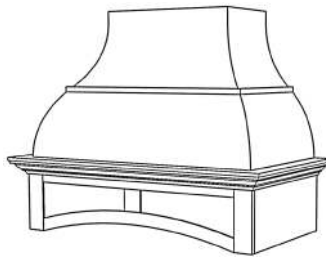
#### B- RSS Base

- BRSS 36
- BRSS 42
- BRSS 48
- BRSS 54
- BRSS 60



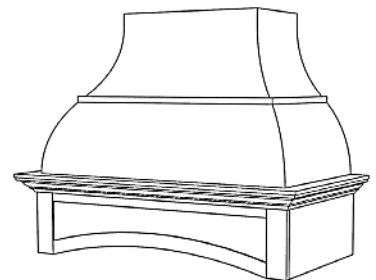
#### B- RA Base

- BRA 36
- BRA 42
- BRA 48
- BRA 54
- BRA 60



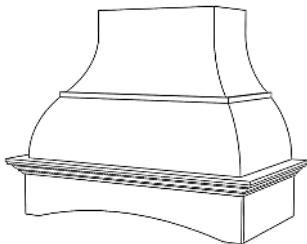
#### B- DP2 Base

- BDP2 36
- BDP2 42
- BDP2 48
- BDP2 54
- BDP2 60



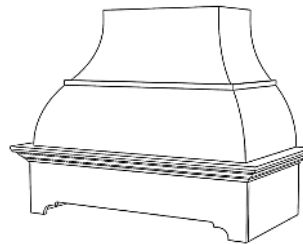
#### B- SL Base

- BSL 36
- BSL 42
- BSL 48
- BSL 54
- BSL 60



#### B- DP1 Base

- BDP1 36
- BDP1 42
- BDP1 48
- BDP1 54
- BDP1 60



#### B- SS Base

- BSS 36
- BSS 42
- BSS 48
- BSS 54
- BSS 60

