

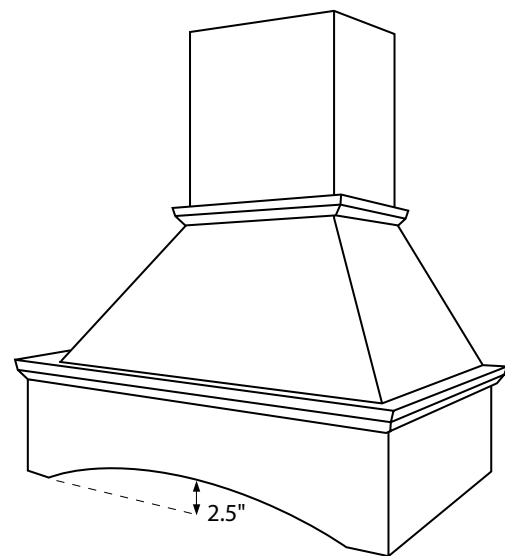
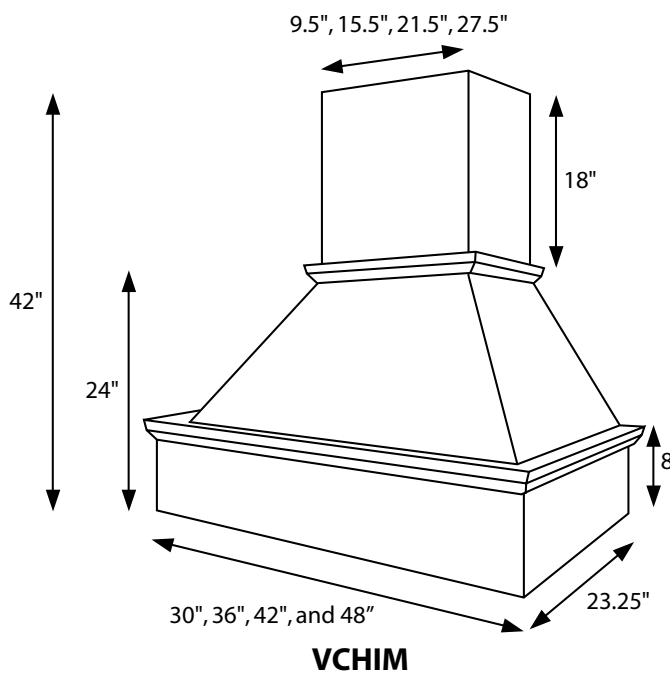
# Introducing our New Standard Range Hood



Stanisci Design is launching an entry level chimney style range hood in our Standard series of hoods. The Standard Chimney hood is a simplified design that is mass produced to bring down cost and allow it to fit into more kitchen projects, and it maintains the quality you expect from Stanisci Design. The Standard Chimney Hood has a very attractive price and ships within 5 days!

- 30", 36", 42", and 48" sizes available
- Red Oak, Maple, Cherry and Alder available
- Ships in 5 days
- Two versions available (standard and arched base)
- Cost effective simple look and design
- Machine sanded
- Stanisci Design quality you have come to expect

## STANISCI DESIGN



# Standard Range Hood Liners

Stanisci Design liners are IN STOCK for immediate shipment. Ventilators designed to specifically fit Stanisci Design wood range hoods or custom hoods of your design.

## **Professional Mesh Filter Ventilators**

- Dimmer controlled halogen lighting
- Variable speed fan control
- Large dishwasher safe polished stainless mesh filters
- Large capture area
- Internal, external and inline blowers
- Seven blower combinations available
- Sizes to fit 30" through 60" decorative range hoods
- 22 gauge 303 Stainless Steel.



## **Technical Features**

- Dishwasher safe filters
- Easy cleaning
- Dimmer controlled halogen lighting
- European design
- Two year in home warranty
- Quiet, variable speed blower



## **Value Liners**

- Dishwasher safe filters
- Easy cleaning
- Silver Metallic finish
- Two year in home warranty
- Quiet, multi speed blower

## **Technical Features**

- Dual 35 watt halogen lights
- 3 speed fan control
- Dishwasher safe Aluminum slotted filters
- 350 CFM blower
- 30" and 36" sizes available
- Silver metallic powder coat finish
- Fujioh BUF-021 blower unit

**STANISCI**  
**DESIGN**

Additional information is available at  
[www.wood-hood.com](http://www.wood-hood.com) or call 586-752-3368.